



**PRINT EDITION 04**

# **BUILDERS GUIDE**

**CHASSIS TABS & BRACKETS**

**GUSSETS**

**SPACERS**

**PLATES**

**BOSSSES**

**SPUDS**

**REAR END HOUSINGS**

**AXLE TUBES**

**EXHAUST FLANGES**



**H**epfner Racing Products are American Made at our state of the art 90,000 square foot facility in Hartford, WI. We utilize industry leading equipment and processes to give you the absolute best in motorsports fabricating components.

<b>CHASSIS TABS &amp; BRACKETS</b>	<b>2</b>
<b>DZUS SPRINGS, PLATES &amp; BUTTONS</b>	<b>22</b>
<b>TORSION TUBE SPACERS</b>	<b>23</b>
<b>NURF BAR &amp; BUMPER SPUDS</b>	<b>25</b>
<b>TUBE BOSSES</b>	<b>33</b>
<b>ROD END BOSSES</b>	<b>35</b>
<b>FRONT AXLE TUBES</b>	<b>37</b>
<b>FRONT AXLE BRACKETS</b>	<b>38</b>
<b>REDUCERS, SPACERS, WASHERS</b>	<b>47</b>
<b>EXHAUST FLANGES, COVER PLATES</b>	<b>49</b>
<b>9" REAR END HOUSINGS</b>	<b>57</b>
<b>REAR END TUBES, SNOOTS</b>	<b>59</b>
<b>FRONT SUSPENSION / A-ARMS</b>	<b>60</b>
<b>REAR END BRACKETS</b>	<b>61</b>
<b>ENGINE MOUNTS</b>	<b>62</b>

# CHASSIS TABS & BRACKETS



**HRP0001T**  
 Shifter Cable Tab Closed Hole  
 Material .125 4130  
 \$3.35

**HRP0005T**  
 Brake Pedal Tab Long  
 Material .125 4130  
 \$3.35

**HRP0007T-TIT**  
 Jacobs Ladder Tab .375 hole  
 Material .125 Titanium  
 \$14.00

**HRP0002T**  
 Shifter Cable Tab Open Hole  
 Material .125 4130  
 \$3.30

**HRP0006T**  
 Brake Pedal Tab Short  
 Material .125 4130  
 \$3.35

**HRP0008T**  
 Jacobs Ladder Tab .500 hole  
 Material .125 4130  
 \$3.35

**HRP0003T**  
 Front Motor Mount Tab w/ extra hole  
 Material .187 4130  
 \$4.25

**HRP0006T-187**  
 Brake Pedal Tab Short  
 Material .187 4130  
 \$3.80

**HRP0008T-TIT**  
 Jacobs Ladder Tab .500 hole  
 Material .125 Titanium  
 \$14.00

**HRP0004T**  
 Front Motor Mount Tab  
 Material .187 4130  
 \$4.15

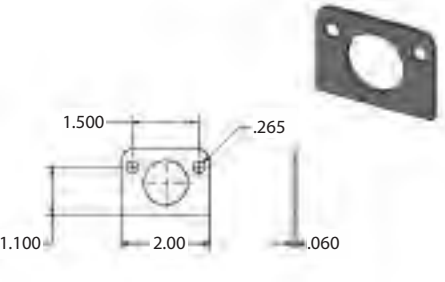
**HRP0007T**  
 Jacobs Ladder Tab .375 hole  
 Material .125 4130  
 \$3.35



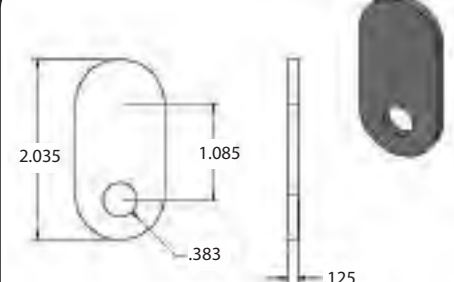


# CHASSIS TABS & BRACKETS

See all of our products and shop online @ [hrpracing.com](http://hrpracing.com)



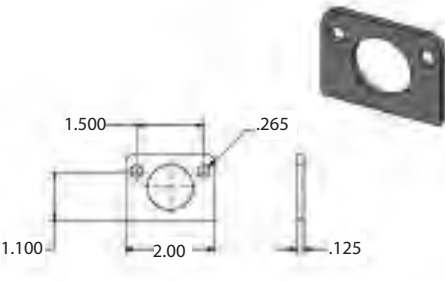
**HRP0009T-060**  
Wing Slider Valve Tab  
Material .060 4130  
\$3.40



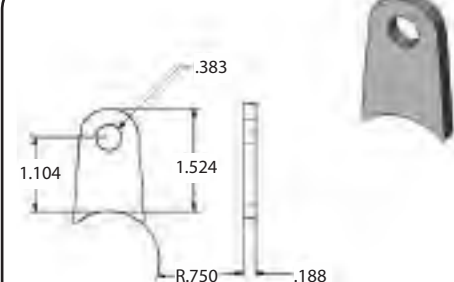
**HRP0012T**  
Jacobs Ladder Upper Tab  
Material .125 4130  
\$3.20



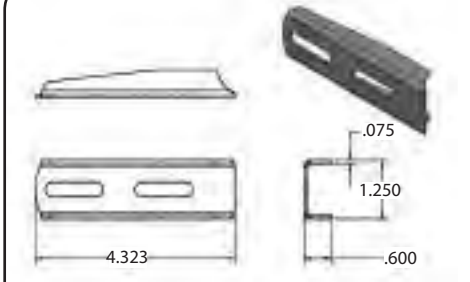
**HRP0016T**  
Outer Frame Rail Wing Tab  
Material .187 4130  
\$3.35



**HRP0009T-125**  
Wing Slider Valve Tab  
Material .125 4130  
\$3.40



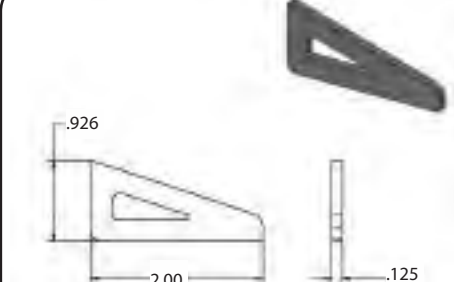
**HRP0013T**  
Top Rear Wing Tab  
Material .187 4130  
\$3.40



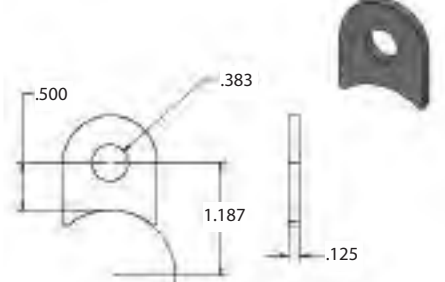
**HRP0017F**  
Coil Mount Bracket  
Material 14 GA Mild Steel  
\$5.25



**HRP0010T**  
Angled Wing Slider Valve Tab  
Material .125 4130  
\$3.35



**HRP0014T**  
Front Axle Gusset Lighened  
Material .125 4130  
\$3.10

**HRP0011T**  
Jacobs Ladder Lower Tab  
Material .125 4130  
\$3.015



**HRP0015K**  
Front Axle Gusset Standard  
Material 10 GA Mild Steel  
\$2.40



# CHASSIS TABS & BRACKETS



**HRP0018T**  
**Outlaw Tank Mount Upper**  
 Material .060 4130  
 \$5.25

**HRP0022F**  
**Brake Line Tab Flat Bottom**  
 Material 14 GA Mild Steel  
 \$2.50

**HRP0025T**  
**Double Jacobs Ladder Tab Upper**  
 Material .125 4130  
 \$3.55

**HRP0019T-LH**  
**Outlaw Tank Mount Lower LH**  
 Material .125 4130  
 \$4.00

**HRP0023F**  
**Brake Line Tab Radius Bottom**  
 Material 14 GA Mild Steel  
 \$2.50

**HRP0025T-187**  
**Double Jacobs Ladder Tab Upper**  
 Material .187 4130  
 \$4.00

**HRP0019T-RH**  
**Outlaw Tank Mount Lower RH**  
 Material .125 4130  
 \$4.00

**HRP0024T-375**  
**Formed Gusset Bracket .375 Hole**  
 Material .125 4130  
 \$4.30

**HRP0026D**  
**Down Tube Wing Spud Gusset**  
 Material 18 GA Mild Steel  
 \$4.75

**HRP0024T-3125**  
**Formed Gusset Bracket .312 Hole**  
 Material .125 4130  
 \$4.30



See all of our products and shop online @ [hrpracing.com](http://hrpracing.com)



# CHASSIS TABS & BRACKETS

See all of our products and shop online @ [hrpracing.com](http://hrpracing.com)

**HRP0026T**  
Steering Mount Side  
Material .060 4130  
\$3.20

**HRP0029T**  
Outer Birdcage Flag Mount  
Material .187 4130  
\$3.60

**HRP0033E**  
Tube Cap .060 Thick .875 Diameter  
Material 16 GA Mild Steel  
\$.60

**HRP0026T-S**  
Steering Mount Side Special  
Material .060 4130  
\$3.50

**HRP0030M**  
Gusset 3" x 3" 3/16" MS  
Material 7 GA Mild Steel  
\$1.50

**HRP0033J**  
Tube Cap .120 Thick .875 Diameter  
Material 11 GA Mild Steel  
\$.60

**HRP0027F**  
Floor Pan Strap  
Material 14 GA Mild Steel  
\$5.50

**HRP0031J**  
Gusset 2" x 2" 1/8" MS  
Material 11 GA Mild Steel  
\$1.25

**HRP0033U**  
Tube Cap .060 Thick .875 Diameter  
Material 16 GA Stainless Steel  
\$.60

**HRP0028T**  
Inner Birdcage Flag Mount  
Material .125 4130  
\$3.30

**HRP0032J**  
Gusset 1.5" x 1.5" 1/8" MS  
Material 11 GA Mild Steel  
\$1.15

**HRP0034E**  
Tube Cap .060 Thick .960 Diameter  
Material 16 GA Mild Steel  
\$.60

# CHASSIS TABS & BRACKETS



**HRP0034J**  
 Tube Cap .125 Thick .960 Diameter  
 Material 11 GA Mild Steel  
 \$.60

**HRP0035J**  
 Tube Cap .125 Thick 1.125 Diameter  
 Material 11 GA Mild Steel  
 \$.60

**HRP0037J**  
 Tube Cap .125 Thick 1.375 Diameter  
 Material 11 GA Mild Steel  
 \$.60

**HRP0034U**  
 Tube Cap .060 Thick .960 Diameter  
 Material 16 GA Stainless Steel  
 \$.60

**HRP0036E**  
 Tube Cap .060 Thick 1.250 Diameter  
 Material 16 GA Mild Steel  
 \$.60

**HRP0038E**  
 Tube Cap .060 Thick 1.50 Diameter  
 Material 16 GA Mild Steel  
 \$.60

**HRP0034U-110**  
 Tube Cap .110 Thick .960 Diameter  
 Material 12 GA Stainless Steel  
 \$.90

**HRP0036J**  
 Tube Cap .125 Thick 1.250 Diameter  
 Material 11 GA Mild Steel  
 \$.60

**HRP0038J**  
 Tube Cap .125 Thick 1.500 Diameter  
 Material 11 GA Mild Steel  
 \$.70

**HRP0035E**  
 Tube Cap .060 Thick 1.125 Diameter  
 Material 16 GA Mild Steel  
 \$.60

**HRP0037E**  
 Tube Cap .060 Thick 1.375 Diameter  
 Material 16 GA Mild Steel  
 \$.60

**HRP0039E**  
 Tube Cap .060 Thick 1.625 Diameter  
 Material 16 GA Mild Steel  
 \$.70

See all of our products and shop online @ [hrpracing.com](http://hrpracing.com)



# CHASSIS TABS & BRACKETS

See all of our products and shop online @ [hrpracing.com](http://hrpracing.com)

**HRP0039J**  
 Tube Cap .125 Thick 1.625 Diameter  
 Material 11 GA Mild Steel  
 \$.70

**HRP0041J**  
 Tube Cap .125 Thick 1.875 Diameter  
 Material 11 GA Mild Steel  
 \$.70

**HRP0044F**  
 Tube Cap .075 Thick .875 x .875 Square  
 Material 14 GA Mild Steel  
 \$.70

**HRP0040E**  
 Tube Cap .060 Thick 1.750 Diameter  
 Material 16 GA Mild Steel  
 \$.70

**HRP0042E**  
 Tube Cap .060 Thick 2.00 Diameter  
 Material 16 GA Mild Steel  
 \$.70

**HRP0045J**  
 Tube Cap .120 Thick 1.125 x 1.125 Square  
 Material 11 GA Mild Steel  
 \$1.25

**HRP0040J**  
 Tube Cap .125 Thick 1.750 Diameter  
 Material 11 GA Mild Steel  
 \$.70

**HRP0042J**  
 Tube Cap .125 Thick 2.00 Diameter  
 Material 11 GA Mild Steel  
 \$.70

**HRP0046F**  
 Tube Cap .070 Thick 1.375 x 1.375 Square  
 Material 14 GA Mild Steel  
 \$1.40

**HRP0041E**  
 Tube Cap .060 Thick 1.875 Diameter  
 Material 16 GA Mild Steel  
 \$.70

**HRP0043E**  
 Tube Cap .060 Thick .600 x .600 Square  
 Material 16 GA Mild Steel  
 \$.70

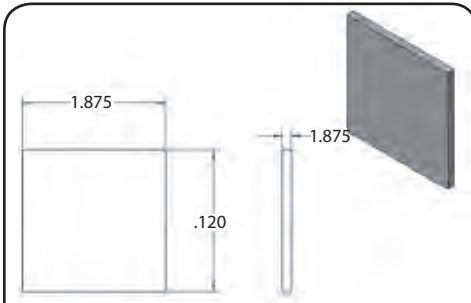
**HRP0046J**  
 Tube Cap .120 Thick 1.375 x 1.375 Square  
 Material 11 GA Mild Steel  
 \$1.40



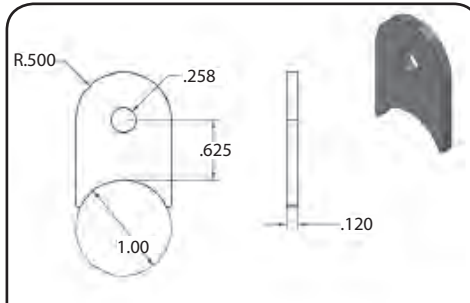
# CHASSIS TABS & BRACKETS



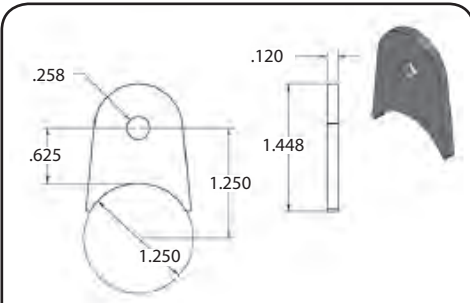
See all of our products and shop online @ [hrpracing.com](http://hrpracing.com)



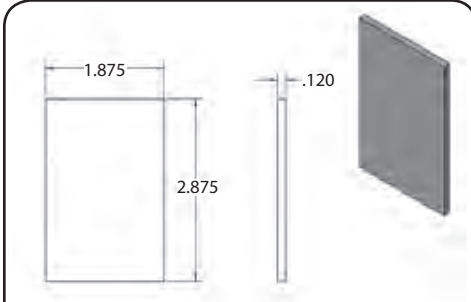
**HRP0047J**  
 Tube Cap .120 Thick 1.875 x 1.875 Square  
 Material 11 GA Mild Steel  
 \$1.40



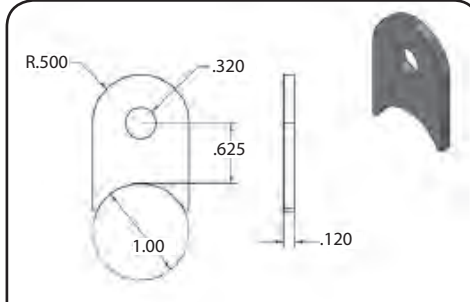
**HRP0050J**  
 Tab .258 Hole 1.00 Coped End  
 Material 11 GA Mild Steel  
 \$1.55



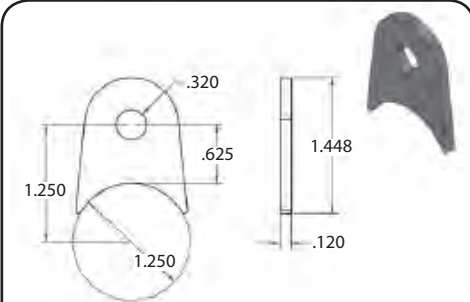
**HRP0053J**  
 Tab .258 Hole 1.25 Coped End  
 Material 11 GA Mild Steel  
 \$1.50



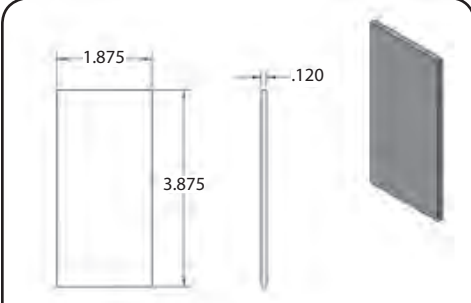
**HRP0048J**  
 Tube Cap .120 Thick 1.875 x 2.875 Rectangle  
 Material 11 GA Mild Steel  
 \$1.40



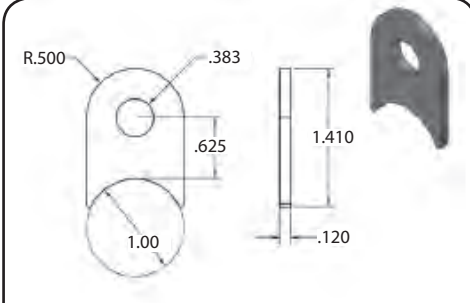
**HRP0051J**  
 Tab .320 Hole 1.00 Coped End  
 Material 11 GA Mild Steel  
 \$1.55



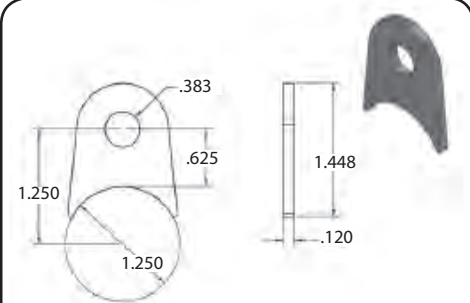
**HRP0054J**  
 Tab .320 Hole 1.25 Coped End  
 Material 11 GA Mild Steel  
 \$1.50



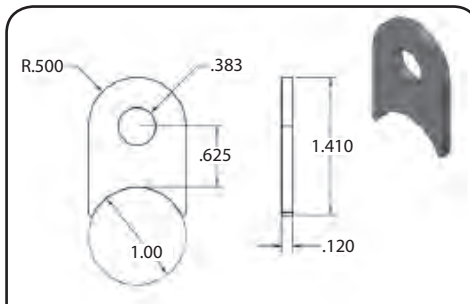
**HRP0049J**  
 Tube Cap .120 Thick 1.875 x 3.875 Rectangle  
 Material 11 GA Mild Steel  
 \$1.55



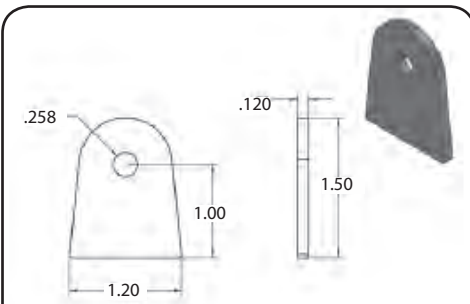
**HRP0052J**  
 Tab .383 Hole 1.00 Coped End  
 Material 11 GA Mild Steel  
 \$1.55



**HRP0055J**  
 Tab .383 Hole 1.25 Coped End  
 Material 11 GA Mild Steel  
 \$1.50



**HRP0052-TIT**  
 Tab .383 Hole 1.00 Coped End  
 Material .125 Titanium  
 \$13.00



**HRP0056J**  
 Tab .258 Hole Flat Bottom  
 Material 11 GA Mild Steel  
 \$1.60



# CHASSIS TABS & BRACKETS

See all of our products and shop online @ [hrpracing.com](http://hrpracing.com)

**HRP0056-TIT**  
 Tab .258 Hole Flat Bottom  
 Material .125 Titanium  
 \$13.00

**HRP0058J**  
 Tab .383 Hole Flat Bottom  
 Material 11 GA Mild Steel  
 \$1.60

**HRP0060M**  
 Tab .508 Hole 1.500 Cope  
 Material 7 GA Mild Steel  
 \$2.65

**HRP0056M**  
 Tab .258 Hole Flat Bottom  
 Material 7 GA Mild Steel  
 \$1.60

**HRP0058M**  
 Tab .383 Hole Flat Bottom  
 Material 7 GA Mild Steel  
 \$1.60

**HRP0060N**  
 Tab .508 Hole 1.500 Cope  
 Material .250 Mild Steel  
 \$3.00

**HRP0057J**  
 Tab .320 Hole Flat Bottom  
 Material 11 GA Mild Steel  
 \$1.60

**HRP0059M**  
 Tab .383 Hole 1.500 Cope  
 Material 7 GA Mild Steel  
 \$2.70

**HRP0061M**  
 Tab .763 Hole 1.500 Cope  
 Material 7 GA Mild Steel  
 \$2.65

**HRP0057M**  
 Tab .320 Hole Flat Bottom  
 Material 7 GA Mild Steel  
 \$1.60

**HRP0059N**  
 Tab .383 Hole 1.500 Cope  
 Material .250 Mild Steel  
 \$2.95

**HRP0061N**  
 Tab .763 Hole 1.500 Cope  
 Material .250 Mild Steel  
 \$2.95

# CHASSIS TABS & BRACKETS



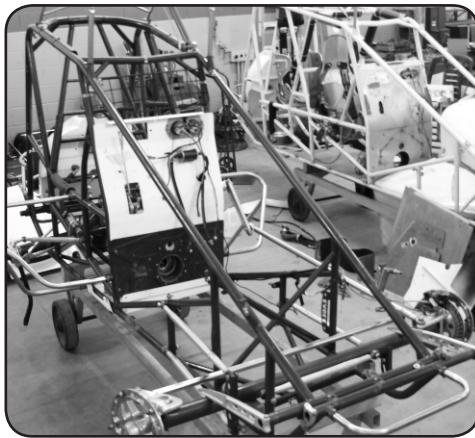
**HRP0062J**  
Shock Mount Tab .508 Hole  
Material 11 GA Mild Steel  
\$2.65

**HRP0065N**  
Flat Bottom Tab .383 Hole  
Material .250 Mild Steel  
\$2.60

**HRP0067N**  
Flat Bottom Tab .763 Hole  
Material .250 Mild Steel  
\$2.60

**HRP0063J**  
Shock Mount Tab .758 Hole  
Material 11 GA Mild Steel  
\$2.65

**HRP0066M**  
Flat Bottom Tab .508 Hole  
Material 7 GA Mild Steel  
\$2.30



**HRP0064J**  
Shock Mount Tab .508 Hole 1.50 Cope  
Material 11 GA Mild Steel  
\$2.10

**HRP0066N**  
Flat Bottom Tab .508 Hole  
Material .250 Mild Steel  
\$2.60



**HRP0065M**  
Flat Bottom Tab .383 Hole  
Material 7 GA Mild Steel  
\$2.30

**HRP0067M**  
Flat Bottom Tab .763 Hole  
Material 7 GA Mild Steel  
\$2.30

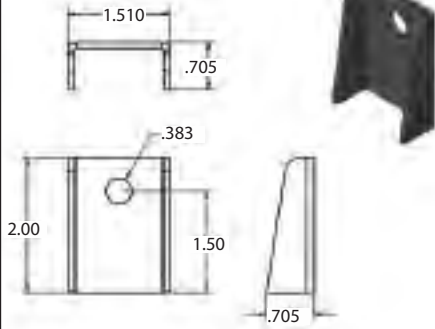


See all of our products and shop online @ [hrpracing.com](http://hrpracing.com)

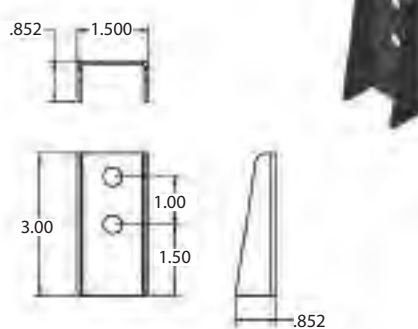


# CHASSIS TABS & BRACKETS

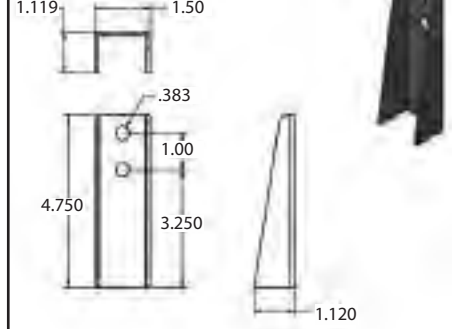
See all of our products and shop online @ [hrpracing.com](http://hrpracing.com)



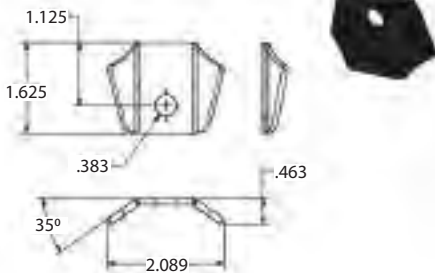
**HRP0068G**  
 Formed Bracket 2" Tall  
 Material 13 GA Mild Steel  
 \$2.60



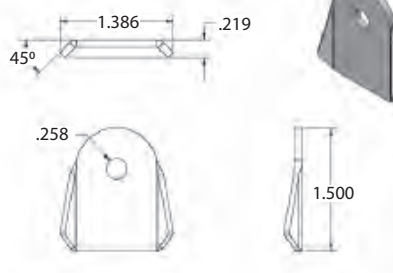
**HRP0069G**  
 Formed Bracket 3" Tall  
 Material 13 GA Mild Steel  
 \$2.95



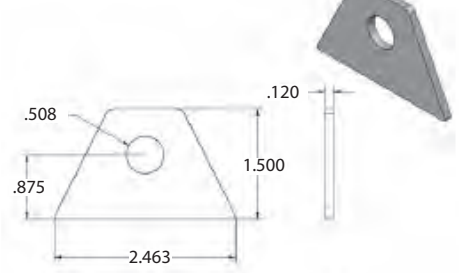
**HRP0070G**  
 Formed Bracket 4" Tall  
 Material 13 GA Mild Steel  
 \$3.60



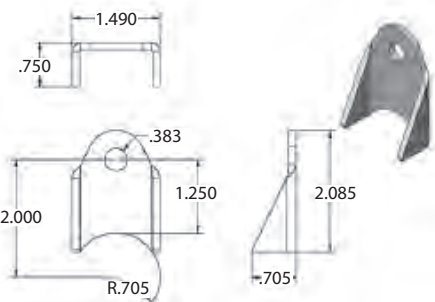
**HRP0071J**  
 Tab .383 Hole with Bent Ends  
 Material 11 GA Mild Steel  
 \$3.00



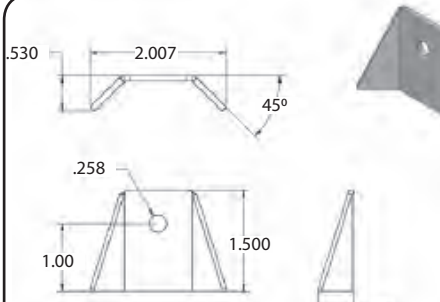
**HRP0073G**  
 Formed Bracket .250 Hole Round Top  
 Material 13 GA Mild Steel  
 \$2.95



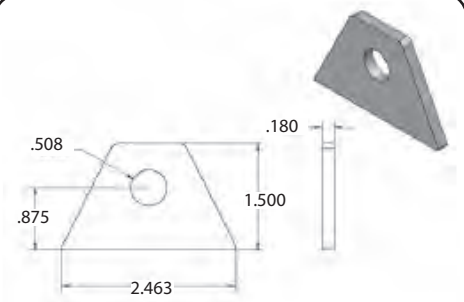
**HRP0075J**  
 Seat Tab .500 Hole  
 Material 11 GA Mild Steel  
 \$2.70



**HRP0072J**  
 Formed Bracket .383 Hole Round Top  
 Material 11 GA Mild Steel  
 \$3.15



**HRP0074G**  
 Formed Bracket .250 Hole Flat Top  
 Material 13 GA Mild Steel  
 \$2.95



**HRP0076M**  
 Seat Tab .500 Hole  
 Material 7 GA Mild Steel  
 \$3.00

# CHASSIS TABS & BRACKETS



See all of our products and shop online @ [hrpracing.com](http://hrpracing.com)

**HRP0077N**  
Seat Tab .500 Hole  
Material .250 Mild Steel  
\$3.15

**HRP0080T**  
Rear Motor Mount Tab  
Material .125 4130  
\$3.40

**HRP0084J**  
Tab .383 Hole  
Material 11 GA Mild Steel  
\$2.50

**HRP0077P**  
Seat Tab .500 Hole  
Material .312 Mild Steel  
\$3.30

**HRP0081K**  
Small Axle Gusset  
Material 10 GA Mild Steel  
\$2.30

**HRP0084J-4130**  
Tab .383 Hole  
Material .125 4130  
\$3.20

**HRP0078E**  
Body Tab .187 Hole  
Material 16 GA Mild Steel  
\$2.60

**HRP0082J**  
Tab .250 Hole  
Material 11 GA Mild Steel  
\$2.50

**HRP0085D-LH**  
Offset Spud Gusset Left  
Material 18 GA Mild Steel  
\$6.00

**HRP0079J**  
Body Tab .187 Hole  
Material 11 GA Mild Steel  
\$2.60

**HRP0083J**  
Tab .320 Hole  
Material 11 GA Mild Steel  
\$2.50

**HRP0085D-RH**  
Offset Spud Gusset Right  
Material 18 GA Mild Steel  
\$6.00



# CHASSIS TABS & BRACKETS

See all of our products and shop online @ [hrpracing.com](http://hrpracing.com)

**HRP0087T**  
**Fuel Tank Mount Slotted**  
 Material .187 4130  
 \$3.50

**HRP0090F**  
**Radiator Mount**  
 Material 14 GA Mild Steel  
 \$10.00

**HRP0094T**  
**.90 Thick Tab**  
 Material .090 4130  
 \$3.20

**HRP0088F**  
**Long Coil Mount**  
 Material 14 GA Mild Steel  
 \$5.00

**HRP0091T**  
**Wing Cylinder Tab**  
 Material .187 4130  
 \$3.20

**HRP0095T**  
**Tube Gusset**  
 Material .060 4130  
 \$7.00

**HRP0092T**  
**Brake Pedal Tab**  
 Material .125 4130  
 \$3.10

**HRP0096T**  
**Pedal Tab**  
 Material .090 4130  
 \$3.20

**HRP0089G**  
**Window Net Locator**  
 Material 13 GA Mild Steel  
 \$2.90

**HRP0093F**  
**Brake Line Tab**  
 Material 14 GA Mild Steel  
 \$1.50

**HRP0097T**  
**Pedal Tab**  
 Material .080 Titanium  
 \$8.50

# CHASSIS TABS & BRACKETS



See all of our products and shop online @ [hrpracing.com](http://hrpracing.com)

**HRP0098T-TIT**  
Obround Tab  
Material .080 Titanium  
\$12.00

**HRP0100T**  
Custom Name Plate (20 pc. Minimum)  
Material 14 GA Mild Steel  
\$17.00

**HRP0103T**  
Clevis Shouck Mount Large  
Material 11 GA Mild Steel  
\$6.90

**HRP0098T-4130**  
Obround Tab .265 Hole  
Material .125 4130  
\$3.20

**HRP0101T**  
Upper Jacobs Ladder Tab 3/16  
Material .187 4130  
\$3.90

**HRP0104T**  
Clevis Shouck Mount Small  
Material 11 GA Mild Steel  
\$6.90

**HRP0098T-4130 320**  
Obround Tab .320 Hole  
Material .125 4130  
\$3.20

**HRP0102T**  
Lower Jacobs Ladder Tab 3/16  
Material .187 4130  
\$3.90

**HRP0105T**  
Clevis Shouck Mount Coped  
Material 11 GA Mild Steel  
\$7.00

**HRP0099T**  
Custom Radiator Mount (20 pc. Minimum)  
Material 14 GA Mild Steel  
\$17.00

**HRP0106F**  
Floor Strap 21.5" Long  
Material 14 GA Mild Steel  
\$5.00



# CHASSIS TABS & BRACKETS

See all of our products and shop online @ [hrpracing.com](http://hrpracing.com)

**HRP0107T**  
 Clevis Tab  
 Material .125 4130  
 \$3.70

**HRP0109T**  
 Long Tab 1/4 Hole  
 Material .125 4130  
 \$4.00

**HRP0113T**  
 Long Tombstone Tab 1/4 Hole  
 Material .125 4130  
 \$5.00

**HRP0108T**  
 Clevis Tab  
 Material .125 4130  
 \$3.70

**HRP0110T**  
 Long Tab 5/16 Hole  
 Material .125 4130  
 \$3.95

**HRP0114T**  
 Long Tombstone Tab 5/16 Hole  
 Material .125 4130  
 \$5.00



**HRP0111T**  
 Long Tab 3/8 Hole  
 Material .125 4130  
 \$3.95

**HRP0115T**  
 Long Tombstone Tab 3/8 Hole  
 Material .125 4130  
 \$5.00



**HRP0112T**  
 Long Tab 1/2 Hole  
 Material .125 4130  
 \$3.95

**HRP0116T**  
 Long Tombstone Tab 1/2 Hole  
 Material .187 4130  
 \$5.00



# CHASSIS TABS & BRACKETS



See all of our products and shop online @ [hrpracing.com](http://hrpracing.com)

**HRP0117T**  
 Seat Tab .500 Hole  
 Material .250 Mild Steel  
 \$5.00

**HRP0121J**  
 Formed Tab With 5/16 Hole  
 Material 11 GA Mild Steel  
 \$3.90

**HRP0125T**  
 Half Gear Mount Tab  
 Material .125 4130  
 \$360

**HRP00118T**  
 Weight Jack Plate Short  
 Material .125 4130  
 \$5.00

**HRP0122J**  
 Tab With 7/16" Hole  
 Material 11 GA Mild Steel  
 \$3.10

**HRP0126U**  
 SS Cap Dished  
 Material 16 GA 304 SS  
 \$3.60

**HRP00119T**  
 Weight Jack Plate Long  
 Material .125 4130  
 \$5.00

**HRP0123J**  
 Tab With 1/4 Hole  
 Material 11 GA Mild Steel  
 \$3.10

**HRP0127T**  
 Shifter Cable Tab /Surelock Style  
 Material .187 4130  
 \$3.35

**HRP0120F**  
 Floor Pan Strap 17.50" Long  
 Material 14 GA Mild Steel  
 \$4.90

**HRP0124T**  
 Tab .320 Hole  
 Material .125 4130  
 \$3.65

**HRP0129M**  
 Engine Plate Stand  
 Material 7 GA Mild Steel  
 \$7.00



# CHASSIS TABS & BRACKETS

See all of our products and shop online @ [hrpracing.com](http://hrpracing.com)

**HRP0130E**  
 Max Style Large Gusset  
 Material 16 Ga Mild Steel  
 \$5.40

**HRP0134**  
 Gusset  
 Material 13 GA Mild Steel  
 \$2.30

**HRP0138T**  
 Tube Gusset Fits 1.75  
 Material 0.60 4130  
 \$7.00

**HRP0131E**  
 Max Style Gusset  
 Material 16 GA Mild Steel  
 \$5.40

**HRP0135**  
 Gusset with Hole  
 Material 13 GA Mild Steel  
 \$2.80

**HRP0139T**  
 Slotted Upper Fuel Tank Bracket  
 Material 0.60 4130  
 \$5.25

**HRP0132T**  
 Jacobs Ladder End Double Hole  
 Material .125 4130  
 \$4.00

**HRP0136T**  
 Nose Wing Tab Shock Mount  
 Material .187 4130  
 \$3.30

**HRP0140T**  
 Slotted Fuel Tank Bracket Plate  
 Material 0.90 4130  
 \$3.20

**HRP0133U**  
 Tube Cap  
 Material 16 GA Stainless Steel  
 \$ .90

**HRP0137T**  
 Master Cylinder Mount  
 Material 0.90 4130  
 \$9.00



# CHASSIS TABS & BRACKETS



See all of our products and shop online @ [hrpracing.com](http://hrpracing.com)

**HRP0141T**  
Wing Mount Tab  
Material 13 GA High Form  
\$5.00

**HRP0145E**  
Header Star 2.00 Tube  
Material 16 GA Mild Steel  
\$3.30

**HRP0150T-TIT**  
Wing Tab  
Material Titanium  
\$7.60

**HRP0142T**  
Wing Mount Tab 3 Hole  
Material 13 GA High Form  
\$6.00

**HRP0146E**  
Header Star 1.875 Tube  
Material 16 GA Mild Steel  
\$3.30

**HRP0151E**  
Tube Cap .060 Thick  
Material 16 GA Mild Steel  
\$.60

**HRP0143T**  
Slotted Upper Fuel Tank Bracket  
Material 0.90 4130  
\$5.25

**HRP0147E**  
Header Star 1.750 Tube  
Material 16 GA Mild Steel  
\$3.30

**HRP0152T**  
Wing Mount Tab 3 Hole  
Material 10 GA High Form  
\$6.75

**HRP0144M**  
Motor Mount Pad  
Material 7 GA Mild Steel  
\$4.50

**HRP0150T-4130**  
Wing Tab  
Material .125 4130  
\$3.20

**HRP0153T**  
Jacobs Ladder Tab .383 Hole  
Material .125 4130  
\$3.40

See all of our products and shop online @ [hrpracing.com](http://hrpracing.com)

**HRP0153T-TIT**  
Jacobs Ladder Tab .383 Hole  
Material .125 CP-2 Titanium  
\$14.00

**HRP0156J**  
Tab  
Material 11 GA Mild Steel  
\$2.25

**HRP0160M**  
Tab  
Material 7 GA Mild Steel  
\$2.50

**HRP0154T**  
Jacobs Ladder Tab .508 Hole  
Material .125 4130  
\$3.40

**HRP0157J**  
Tab  
Material 11 GA Mild Steel  
\$2.25

**HRP0161M**  
Tab  
Material 7 GA Mild Steel  
\$2.50

**HRP0154T-TIT**  
Jacobs Ladder Tab .508 Hole  
Material .125 CP-2 Titanium  
\$14.00

**HRP0158M**  
Tab  
Material 7 GA Mild Steel  
\$2.50

**HRP0162M**  
Tab  
Material 7 GA Mild Steel  
\$2.50

**HRP0155J**  
Body Tab .187 Hole  
Material 11 GA Mild Steel  
\$2.25

**HRP0159M**  
Tab .320 Hole  
Material 7 GA Mild Steel  
\$2.50

**HRP0163M**  
Tab  
Material 7 GA Mild Steel  
\$2.50

# CHASSIS TABS & BRACKETS



**HRP0165-LH**  
Nose Wing Mount Plate Left  
Material 11 GA 304 Stainless  
\$5.00

**HRP0168T**  
Tab 1.500 Tall  
Material .125 Titanium  
\$8.50

**HRP0171T**  
Tab  
Material .187 4130  
\$8.50

**HRP0165-RH**  
Nose Wing Mount Plate Right  
Material 11 GA 304 Stainless  
\$5.00

**HRP00169**  
Formed Gusset  
Material 18 GA Mild Steel  
\$5.50

**HRP0172T**  
Truck Bracket 1 Hole  
Material .187 4130  
\$7.00

**HRP0166T**  
Jacobs Ladder Tab .375 Hole  
Material .120 4130  
\$3.40

**HRP0169-4130**  
Tab  
Material .125 4130  
\$3.50

**HRP0173T**  
Tab  
Material .187 4130  
\$6.50

**HRP0167T**  
Jacobs Ladder Tab .500 Hole  
Material .120 4130  
\$3.40

**HRP0170T**  
Tab  
Material .187 4130  
\$8.00

**HRP0174T**  
Truck Bracket 1 Hole  
Material .187 4130  
\$6.50

See all of our products and shop online @ [hrpracing.com](http://hrpracing.com)



# CHASSIS TABS & BRACKETS

See all of our products and shop online @ [hrpracing.com](http://hrpracing.com)

**HRP0175K**  
 Tab 0.385 Diameter  
 Material 10 GA Mild Steel  
 \$2.0

**HRP0179J**  
 Tab 0.343 Diameter  
 Material 11 GA Mild Steel  
 \$2.90

**HRP0181J**  
 Bent Tab 0.343 Diameter  
 Material 11 GA Mild Steel  
 \$3.90

**HRP0176M**  
 Tab 0.515 Diameter  
 Material 7 GA Mild Steel  
 \$2.40

**HRP0180J**  
 Tab 0.255 Diameter  
 Material 11 GA Mild Steel  
 \$2.90

**HRP0182T**  
 Tab 0.393 Diameter  
 Material .125 4130  
 \$3.25

**HRP0177J**  
 Tab 0.278 Diameter  
 Material 11 GA Mild Steel  
 \$2.90

## SPRINT CAR WING POST TOPS

**HRP0128**  
 Easy Glide Post Top  
 Material 4130  
 \$11.00

**HRP0128-HD**  
 Heavy Duty Easy Glide Post Top  
 Material 4130  
 \$12.00

**HRP0178J**  
 Tab 0.405 Diameter  
 Material 11 GA Mild Steel  
 \$2.90

# DZUS SPRINGS, PLATES & BUTTONS



**HRP0300**  
.275 Panel Spring 1.75 Spread  
\$ .75

**HRP0301**  
.325 Panel Spring 1.75 Spread  
\$ .75

**HRP0302**  
.375 Panel Spring 1.75 Spread  
\$ .75

**HRP0303**  
.425 Panel Spring 1.75 Spread  
\$ .75

**HRP0391**  
.225 Panel Spring 1.00 Spread  
\$ .75

**HRP0392**  
.325 Panel Spring 1.00 Spread  
\$ .75

**HRP0393**  
.350 Panel Spring 1.00 Spread  
\$ .75

**HRP0394**  
.300 Panel Spring 1.00 Spread  
\$ .75



**HRP0310**  
.400 Steel Button  
\$1.25

**HRP0311**  
.500 Steel Button  
\$1.25

**HRP0311-BG**  
.500 Steel Button Big 1" Head  
\$2.25

**HRP0312**  
.550 Steel Button  
\$1.25



**HRP0320**  
.400 Aluminum Button  
\$1.30

**HRP0321**  
.500 Aluminum Button  
\$1.30

**HRP0321-BG**  
.500 Aluminum Button Big 1" Head  
\$2.50

**HRP0322**  
.550 Aluminum Button  
\$1.30



**HRP0399**  
Body Save Plate / Mote Plate  
\$ .75



**HRP0329 (shown on left)**  
Light Weight Steel Button  
\$1.25

**HRP0397 (shown on right)**  
.450 Self Ejecting Button/Tab  
\$2.50



HRP0350



HRP0354

**HRP0350**  
Spring Plate Stanard Steel  
\$ .65

**HRP0354**  
Spring Plate Long Steel  
\$2.00

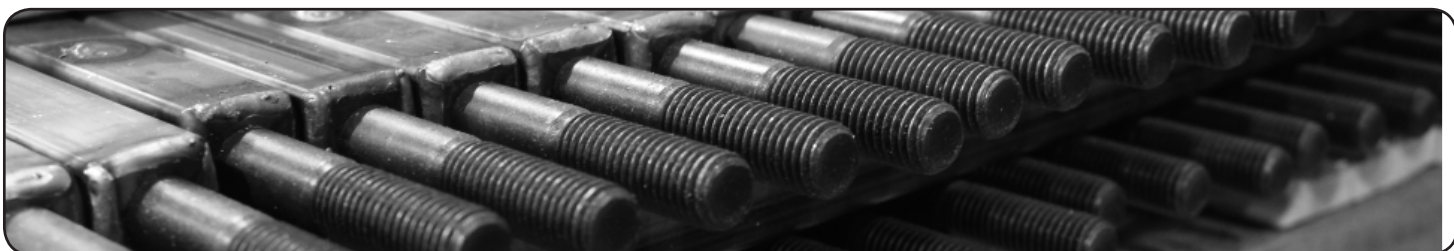


**HRP0351**  
Spring Plate Light Weight  
\$ .80



**HRP0353**  
Spring Plate Stanard Aluminum  
\$2.75

**HRP0352**  
Spring Plate Standard Titanium  
\$7.50

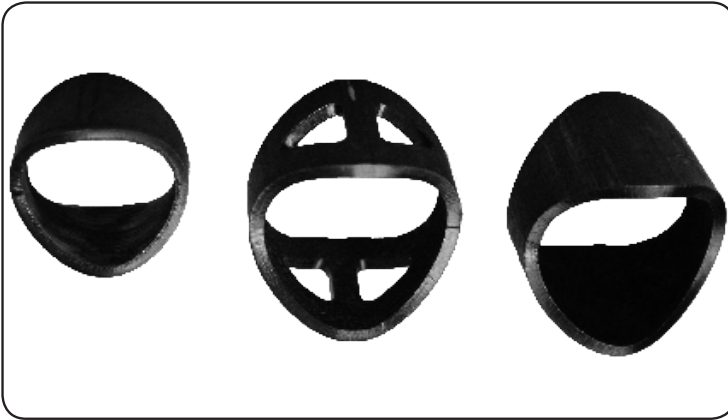


See all of our products and shop online @ [hrpracing.com](http://hrpracing.com)



# TORSION TUBE SPACERS

See all of our products and shop online @ [hrpracing.com](http://hrpracing.com)



**HRP3001W**  
Split Tube Spacer 1.75"  
Material .095 4130  
\$4.25

**HRP3002W**  
Split Tube Spacer 1.75"  
Material .095 4130  
\$4.25

**HRP3003W**  
Split Tube Spacer 1.75"  
Material .095 4130  
\$4.25

**HRP3004W**  
Split Tube Spacer 1.75"  
Material .095 4130  
\$4.25

**HRP3005W**  
Split Tube Spacer 2"  
Material .095 4130  
\$4.25

**HRP3006W**  
Split Tube Spacer 2.00"  
Material .095 4130  
\$4.25

**HRP3007W**  
Split Tube Spacer 2.00"  
Material .095 4130  
\$4.25

**HRP3008W**  
Split Tube Spacer 2.00"  
Material .095 4130  
\$4.25

**HRP3009W**  
Split Tube Spacer 1.50"  
Material .083 4130  
\$4.25



# TORSION TUBE SPACERS



See all of our products and shop online @ [hrpracing.com](http://hrpracing.com)

**HRP3010W**  
Split Tube Spcaer 1.875"  
Material .095 4130  
\$4.25

**HRP3014W**  
Split Tube Spacer 1.625"  
Material .095 4130  
\$4.25

**HRP3018W**  
Split Tube Spacer  
Material .065 4130  
\$4.25

**HRP3011W**  
Split Tube Spacer 1.875"  
Material .095 4130  
\$4.25

**HRP3015W**  
Split Tube Spacer  
Material .095 4130  
\$4.25

**HRP3019W**  
Split Tube Spacer  
Material .065 4130  
\$4.25

**HRP3012W**  
Split Tube Spacer  
Material .095 4130  
\$4.25

**HRP3016W**  
Split Tube Spacer 1.50"  
Material .065 4130  
\$4.25

**HRP3020W**  
Split Tube Spacer 1.75"  
Material .065 4130  
\$4.25

**HRP3013W**  
Split Tube Spacer 1.75"  
Material .095 4130  
\$4.25

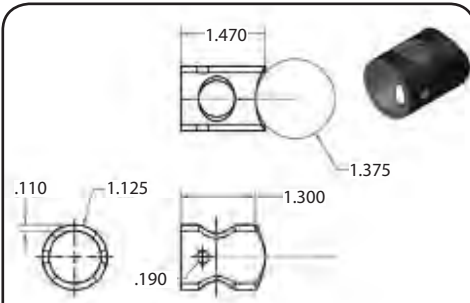
**HRP3017W**  
Split Tube Spacer 1.50"  
Material .065 4130  
\$4.25

**HRP3043W**  
Split Tube Spacer  
Material .120 4130  
\$6.90

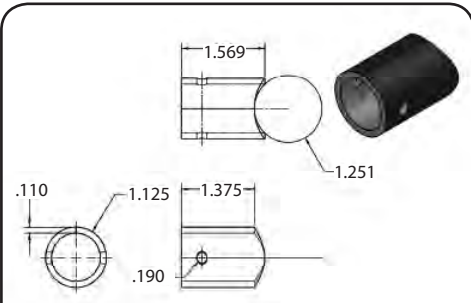


# NURF BAR & BUMPER SPUDS

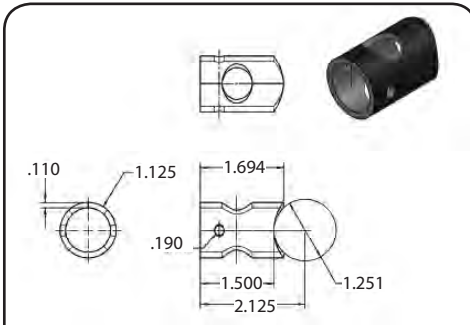
See all of our products and shop online @ [hrpracing.com](http://hrpracing.com)



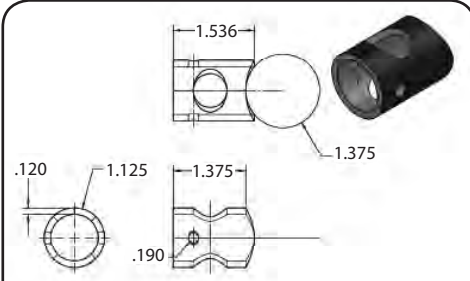
**HRP3043W-110**  
Nurf / Bumper Spud  
Material .110 Mild Steel  
\$6.90



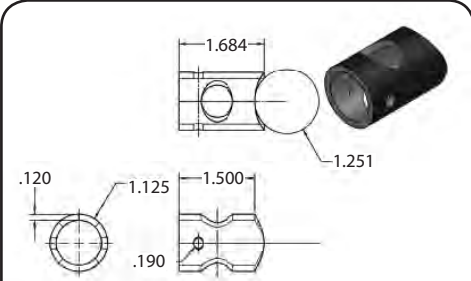
**HRP3045W-110**  
Nurf / Bumper Spud  
Material .110 Mild Steel  
\$6.90



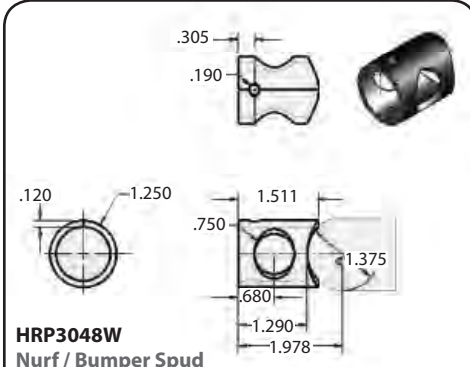
**HRP3047W-110**  
Nurf / Bumper Spud  
Material .110 Mild Steel  
\$6.90



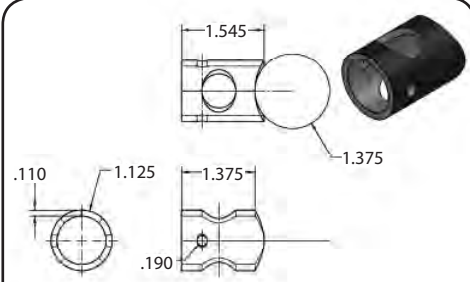
**HRP3044W**  
Nurf / Bumper Spud  
Material .120 4130  
\$6.90



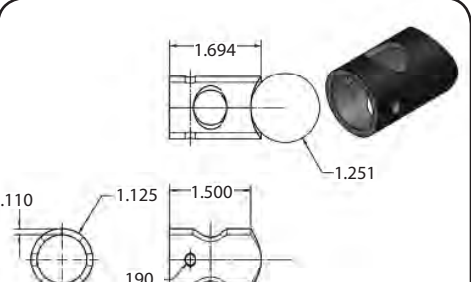
**HRP3046W**  
Nurf / Bumper Spud  
Material .120 4130  
\$6.90



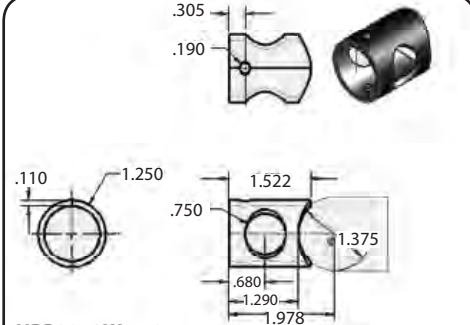
**HRP3048W**  
Nurf / Bumper Spud  
Material .120 4130  
\$6.90



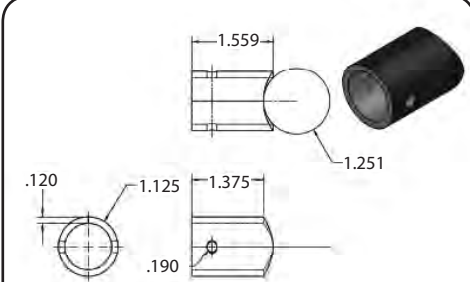
**HRP3044W-110**  
Nurf / Bumper Spud  
Material .110 Mild Steel  
\$6.90



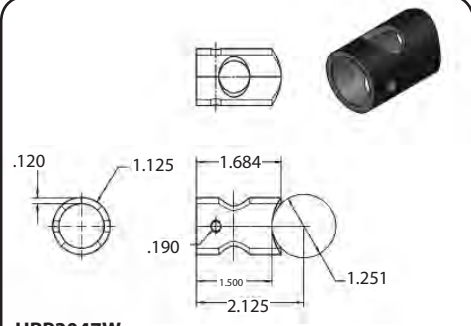
**HRP3046W-110**  
Nurf / Bumper Spud  
Material .110 Mild Steel  
\$6.90



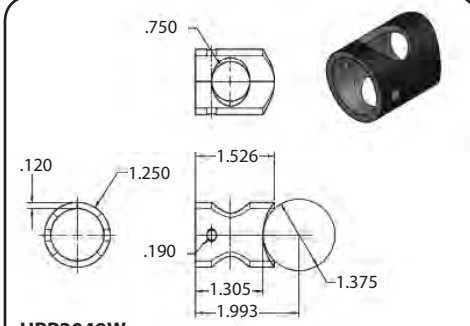
**HRP3048W-110**  
Nurf / Bumper Spud  
Material .110 Mild Steel  
\$6.90



**HRP3045W**  
Nurf / Bumper Spud  
Material .120 4130  
\$6.90



**HRP3047W**  
Nurf / Bumper Spud  
Material .120 4130  
\$6.90



**HRP3049W**  
Nurf / Bumper Spud  
Material .120 4130I  
\$6.90

# NURF BAR & BUMPER SPUDS



See all of our products and shop online @ [hrpracing.com](http://hrpracing.com)

**HRP3049W-110**  
Nurf / Bumper Spud  
Material .110 Mild Steel  
\$6.90

**HRP3051W-110**  
Nurf / Bumper Spud  
Material .110 Mild Steel  
\$6.90

**HRP3053W-110**  
Nurf Spud 87°  
Material .110 Mild Steel  
\$6.90

**HRP3050W**  
Nurf / Bumper Spud  
Material .120 4130  
\$6.90

**HRP3052W**  
Nurf / Bumper Spud  
Material .120 4130  
\$6.90

**HRP3054W**  
Bumper Spud  
Material .120 4130  
\$6.90

**HRP3050W-110**  
Nurf / Bumper Spud  
Material .110 Mild Steel  
\$6.90

**HRP3052W-110**  
Nurf / Bumper Spud  
Material .110 Mild Steel  
\$6.90

**HRP3054W-110**  
Bumper Spud  
Material .110 Mild Steel  
\$6.90

**HRP3051W**  
Nurf / Bumper Spud  
Material .120 4130  
\$6.90

**HRP3053W**  
Nurf Spud 87°  
Material .120 4130  
\$6.90

**HRP3055W**  
Nurf / Bumper Spud  
Material .120 4130  
\$6.90



# NURF BAR & BUMPER SPUDS

See all of our products and shop online @ [hrpracing.com](http://hrpracing.com)

**HRP3060W**  
Rear Bumper Spud 23°  
Material .120 4130  
\$6.90

**HRP3062W**  
Rear Bumper Spud 23°  
Material .120 4130  
\$6.90

**HRP3064W-110**  
Rear Bumper Spud 84°  
Material .110 Mild Steel  
\$6.90

**HRP3060W-110**  
Rear Bumper Spud 23°  
Material .110 Mild Steel  
\$6.90

**HRP3062W-110**  
Rear Bumper Spud 23°  
Material .120 4130  
\$6.90

**HRP3065W**  
Rear Bumper Spud 82°  
Material .120 4130  
\$6.90

**HRP3061W**  
Rear Bumper Spud 19°  
Material .120 4130  
\$6.90

**HRP3063W**  
Torque Tube Spud  
Material .120 4130  
\$6.90

**HRP3065W-110**  
Rear Bumper Spud 82°  
Material .110 Mild Steel  
\$6.90

**HRP3061W-110**  
Rear Bumper Spud 19°  
Material .110 Mild Steel  
\$6.90

**HRP3064W**  
Rear Bumper Spud 84°  
Material .120 4130  
\$6.90

**HRP3066W**  
Rear Bumper Spud 67°  
Material .120 4130  
\$6.90

# NURF BAR & BUMPER SPUDS



See all of our products and shop online @ [hrpracing.com](http://hrpracing.com)

**HRP3066W-110**  
Rear Bumper Spud 67°  
Material .110 Mild Steel  
\$6.90

**HRP3068W-110**  
Rear Bumper Spud 77°  
Material .110 Mild Steel  
\$6.90

**HRP3070W-110**  
Nurf / Bumper Spud  
Material .110 Mild Steel  
\$6.90

**HRP3067W**  
Rear Bumper Spud 73°  
Material .120 4130  
\$6.90

**HRP3069W**  
Rear Bumper Spud 70°  
Material .120 4130  
\$6.90

**HRP3071W**  
Nurf / Bumper Spud  
Material .120 4130  
\$6.90

**HRP3067W-110**  
Rear Bumper Spud 73°  
Material .110 Mild Steel  
\$6.90

**HRP3069W-110**  
Rear Bumper Spud 70°  
Material .110 Mild Steel  
\$6.90

**HRP3071W-110**  
Nurf / Bumper Spud  
Material .110 Mild Steel  
\$6.90

**HRP3068W**  
Rear Bumper Spud 77°  
Material .120 4130  
\$6.90

**HRP3070W**  
Nurf / Bumper Spud  
Material .120 4130  
\$6.90

**HRP3072W**  
Nurf / Bumper Spud  
Material .120 4130  
\$6.90



# NURF BAR & BUMPER SPUDS

See all of our products and shop online @ [hrpracing.com](http://hrpracing.com)

**HRP3072W-110**  
Nurf / Bumper Spud  
Material .110 Mild Steel  
\$6.90

**HRP3074W-110**  
Nurf / Bumper Spud  
Material .110 Mild Steel  
\$6.90

**HRP3076W-110**  
Nurf / Bumper Spud  
Material .110 Mild Steel  
\$6.90

**HRP3073W**  
Nurf / Bumper Spud  
Material .120 4130  
\$6.90

**HRP3075W**  
Rear Bumper Spud 75°  
Material .120 4130  
\$6.90

**HRP3077W**  
Clamp Spud  
Material .120 4130  
\$6.90

**HRP3073W-110**  
Nurf / Bumper Spud  
Material .110 Mild Steel  
\$6.90

**HRP3075W-110**  
Rear Bumper Spud 75°  
Material .110 Mild Steel  
\$6.90

**HRP3077W-110**  
Clamp Spud  
Material .110 Mild Steel  
\$6.90

**HRP3074W**  
Nurf / Bumper Spud  
Material .120 4130  
\$6.90

**HRP3076W**  
Nurf / Bumper Spud  
Material .120 4130  
\$6.90

**HRP3078W**  
Nose Wing Spud  
Material .120 4130  
\$6.90

# NURF BAR & BUMPER SPUDS



See all of our products and shop online @ [hrpracing.com](http://hrpracing.com)

**HRP3079W**  
Down Tube Wing Spud  
Material .120 4130  
\$6.90

**HRP3083W-LH**  
Non Down Tube FWD Wing Spud 52°  
Material .120 4130  
\$6.90

**HRP3085W-LH**  
Down Tube Clamp Wing Spud 69°  
Material .120 4130  
\$6.90

**HRP3080W**  
Down Tube Clamp Wing Spud 67°  
Material .120 4130  
\$6.90

**HRP3083W-RH**  
Non Down Tube FWD Wing Spud 52°  
Material .120 4130  
\$6.90

**HRP3085W-RH**  
Down Tube Clamp Wing Spud 69°  
Material .120 4130  
\$6.90

**HRP3081W**  
Down Tube Clamp Wing Spud 61°  
Material .120 4130  
\$6.90

**HRP3084W-LH**  
Down Tube Clamp Wing Spud 67°  
Material .120 4130  
\$6.90

**HRP3086W**  
Clamping Nose Wing Spud  
Material .120 4130  
\$6.90

**HRP3082W**  
Nose Clamp Wing Spud 79°  
Material .120 4130  
\$6.90

**HRP3084W-RH**  
Down Tube Clamp Wing Spud 67°  
Material .120 4130  
\$6.90

**HRP3087W-LH**  
Nose Clamp Wing Spud  
Material .120 4130  
\$6.90



# NURF BAR & BUMPER SPUDS

See all of our products and shop online @ [hrpracing.com](http://hrpracing.com)

**HRP3087W-RH**  
**Nose Clamp Wing Spud**  
 Material .120 4130  
 \$6.90

**HRP3090W-2**  
**Torsion Stop Pad .625 Wide**  
 Material .156 4130  
 \$4.90

**HRP3094W**  
**Steering Ring Split**  
 Material .120 4130  
 \$7.50

**HRP3088W**  
**Clamping Nose Wing Spud**  
 Material .120 4130  
 \$6.90

**HRP3091W**  
**Clamp Tube Half**  
 Material .120 4130  
 \$7.25

**HRP3095W**  
**Steering Ring Non-Split**  
 Material .120 4130  
 \$7.25

**HRP3089W**  
**Nose Clamp Wing Spud**  
 Material .120 4130  
 \$6.90

**HRP3092W**  
**Clamp Tube Halves**  
 Material .120 4130  
 \$7.25

**HRP3097W**  
**Clamp Tube Halves**  
 Material .120 4130  
 \$7.25

**HRP3090W**  
**Torsion Stop Pad 1.125 Wide**  
 Material .156 4130  
 \$4.90

**HRP3093W**  
**Steering Ring Non-Split**  
 Material .120 4130  
 \$7.25

**HRP3098W**  
**Clamp Tube Halves**  
 Material .120 4130  
 \$9.10



# NURF BAR & BUMPER SPUDS, MOUNTS



**HRP3099W**  
Clamping Nose Wing Spud 1"  
Material .120 4130  
\$6.90

**HRP3247-TIT**  
Wing Tree Stud  
Material .625 Titanium  
\$21.50

**HRP3245**  
Shock Mount  
Material 4130  
\$11.50



**HRP3249**  
Pan Hard Bar Spud (Radius)  
Material 4130  
\$9.80

**HRP3245S**  
Pan Hard Bar Spud  
Material 4130I  
\$14.00



**HRP3249S**  
Pan Hard Spud  
Material 4130  
\$12.00

**HRP3246**  
Shock Boss  
Material 4130  
\$10.00



**HRP3247**  
Wing Tree Stud  
Material .625 1117  
\$7.50

See all of our products and shop online @ [hrpracing.com](http://hrpracing.com)



# TUBE BOSSES

See all of our products and shop online @ [hrpracing.com](http://hrpracing.com)

HRP STOCK TUBE BOSSES				
HRP PART #	LENGTH	THREADED EACH starting at	THRU EACH starting at	Some prices higher for longer bosses Price Chart for reference only Check website or call Prices are subject to change without notice
HRP3400	.500	\$5.20	\$5.20	
HRP3401	.625	\$5.35	\$5.35	
HRP3402	.750	\$5.50	\$5.50	
HRP3403	.875	\$5.75	\$5.75	
HRP3404	1.000	\$6.00	\$6.00	
HRP3405	1.125	\$6.25	\$6.25	
HRP3406	1.250	\$6.50	\$6.50	
HRP3407	1.375	\$6.75	\$6.75	
HRP3408	1.500	\$7.00	\$7.00	
HRP3409	1.625	\$7.25	\$7.25	
HRP3410	1.750	\$7.50	\$7.50	
HRP3411	1.875	\$7.75	\$7.75	
HRP3412	2.000	\$8.00	\$8.00	
HRP3413	2.125	\$8.25	\$8.25	
HRP3414	2.250	\$8.50	\$8.50	
HRP3415	2.375	\$8.75	\$8.75	
HRP3416	2.500	\$9.00	\$9.00	
HRP3417	2.750	\$9.25	\$9.25	
HRP3418	3.000	\$9.50	\$9.50	
HRP3419	3.250	\$9.75	\$9.75	
HRP3420	3.500	\$10.00	\$10.00	
HRP3421	3.750	\$10.25	\$10.25	
HRP3422	4.000	\$10.50	\$10.50	
HRP3423	4.250	\$10.75	\$10.75	
HRP3424	4.500	\$11.00	\$11.00	

THREADED BOSSES			
LETTER (PART # SUFFIX)	THREAD ID	OUTSIDE DIMENSION	MATERIAL TYPE
A	1/4 X 28	.500	4130
B	5/16 X 24	.625	4130
C	3/8 X 24	.625	4130
D	7/16 X 20	.750	4130
E	1/2 X 20	.750	4130
G	7/16 X 20	.625	4130
M	1/4 X 20	.500	4130
N	5/16 X 18	.625	4130
O	3/8 X 16	.625	4130
P	7/16 X 14	.750	4130
Q	1/2 X 13	.750	4130

THRU BOSSES			
LETTER (PART # SUFFIX)	THRU HOLE	OUTSIDE DIMENSION	MATERIAL TYPE
R	.384 ID	.500	4130
S	.310 ID	.500	4130
T	.260 ID	.500	4130
U	.188 ID	.500	4130
V	.438 ID	.625	4130
W	.385 ID	.625	4130
X	.313 ID	.625	4130
Y	.510 ID	.750	4130
Z	.438 ID	.750	4130
YY	.500 ID	1.000	4130
ZZ	.500 ID	.875	4130



# TUBE BOSSES



**HRP3000W-M**  
King Pin Boss  
Material 1.25 4130  
\$13.00

**HRP3251**  
Light Weight King Pin Boss  
Material 1.250 4130  
\$21.50

**HRP3252**  
Light Weight King Pin Boss  
Material 1.250 4130 (w/ 1.500 cutout cope)  
\$24.50

**HRP3242**  
Junior Sprint King Pin Boss  
Material 1.00 4130  
\$9.00

**HRP3000W-125**  
King Pin Boss  
Material 1.125 4130  
\$16.00

**HRP3243**  
Chassis Axle Boss  
Material 1.125 1018  
\$10.00



**HRP3000W-150**  
King Pin Boss  
Material 1.50 4130  
\$24.00

**HRP3244**  
Mini King Pin Boss  
Material 1.250 4130  
\$10.50



**HRP3250**  
Mini King Pin Boss  
Material 1.00 4130  
\$12.00

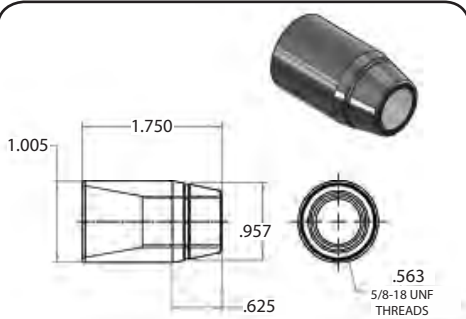


See all of our products and shop online @ [hrpracing.com](http://hrpracing.com)



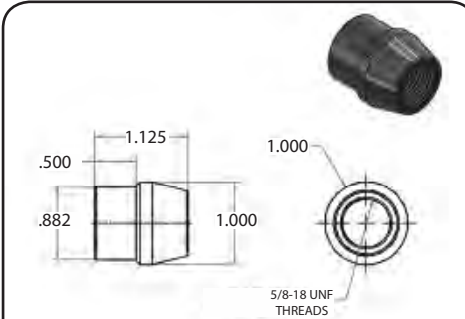
# ROD END BOSSES

See all of our products and shop online @ [hrpracing.com](http://hrpracing.com)



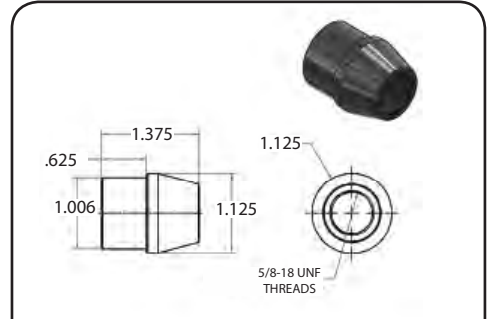
**HRP3201W-LH**  
LH Rod End Boss 5/8 Thread 1 1/16" Diameter  
Material 4130  
\$8.50

**HRP3202W-RH**  
RH Rod End Boss 5/8 Thread 1 1/16" Diameter  
Material 4130  
\$8.50



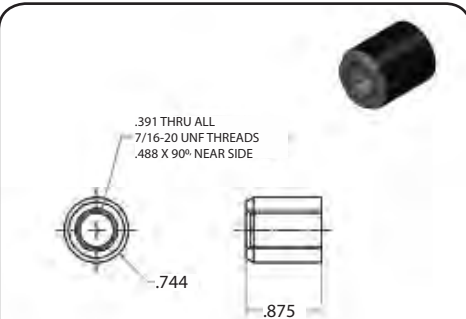
**HRP3203W-LH**  
LH Rod End Boss 5/8 Thread 1" Diameter  
Material 1018  
\$7.75

**HRP3204W-RH**  
RH Rod End Boss 5/8 Thread 1" Diameter  
Material 1018  
\$7.75



**HRP3205W-LH**  
LH Rod End Boss 5/8 Thread 1 1/4" Diameter  
Material 1018  
\$7.75

**HRP3206W-RH**  
RH Rod End Boss 5/8 Thread 1 1/4" Diameter  
Material 1018  
\$7.75



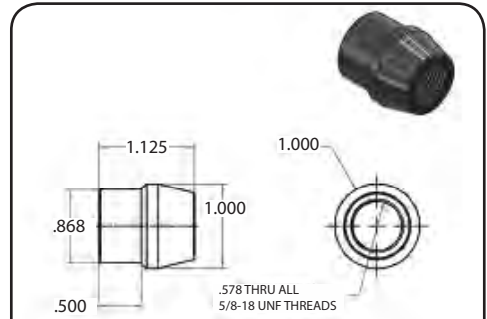
**HRP3207W-LH**  
LH Rod End Boss Threaded 3/4" Diameter  
Material 1018  
\$4.75

**HRP3208W-RH**  
RH Rod End Boss Threaded 3/4" Diameter  
Material 1018  
\$4.75



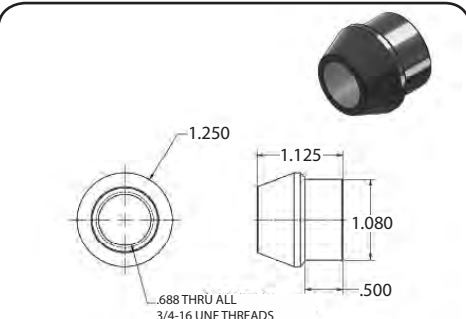
**HRP3212W-LH**  
LH Rod End Boss 5/8 Thread 1 1/2" Diameter  
Material 1018  
\$9.75

**HRP3213W-RH**  
RH Rod End Boss 5/8 Thread 1 1/2" Diameter  
Material 1018  
\$9.75



**HRP3214W-LH**  
LH Rod End Boss 5/8 Thread 1" Diameter  
Material 1018  
\$7.75

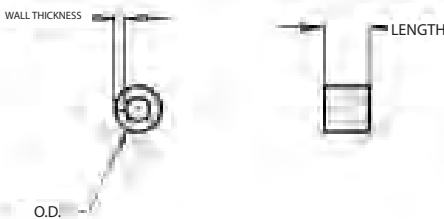
**HRP3215W-RH**  
RH Rod End Boss 5/8 Thread 1" Diameter  
Material 1018  
\$7.75



**HRP3216W-LH**  
LH Rod End Boss 3/4 Thread 1 1/4" Diameter  
Material 1018  
\$8.25

**HRP3217W-RH**  
RH Rod End Boss 3/4 Thread 1 1/4" Diameter  
Material 1018  
\$8.25





**HRP3229**  
Thru Boss .120 4130  
.625 OD, .320 ID, .812 Length  
\$1.75

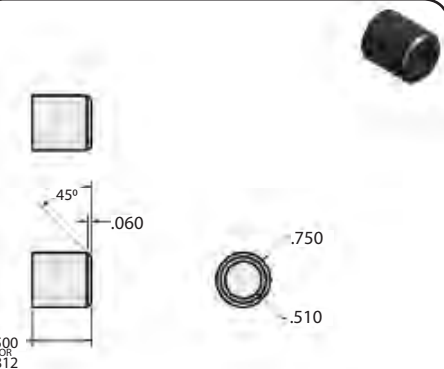
**HRP3230**  
Thru Boss .120 4130  
.625 OD, .385 ID, .875 Length  
\$1.75

**HRP3231**  
Thru Boss .120 4130  
.625 OD, .385 ID, 1.000 Length  
\$1.75

**HRP3232**  
Thru Boss .120 4130  
.500 OD, .380 ID, .500 Length  
\$1.65

**HRP3233**  
Thru Boss .093 4130  
.500 OD, .407 ID, .500 Length  
\$1.65

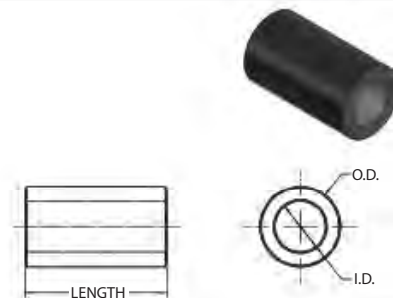
**HRP3234**  
Thru Boss .120 4130  
.750 OD, .630 ID, 1.125 Length  
\$1.75



**HRP3235**  
Boss with Chamfer  
.750 Mild Steel, .812 Length  
\$2.30

**HRP3236**  
Boss with Chamfer  
.750 Mild Steel, .500 Length  
\$2.30

## TITANIUM



**HRP3360**  
Boss / Gas Pedal Spud  
.375 OD, .250 ID, .875 Length  
\$10.50

**HRP3361**  
Boss / Gas Pedal Spud  
.500 OD, .312 ID, .875 Length  
\$10.50

**HRP3362**  
Boss / Gas Pedal Spud  
.500 OD, .312 ID, 1.00 Length  
\$10.50

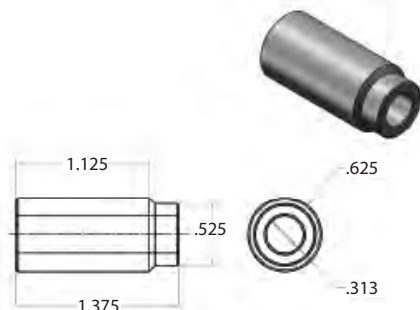
**HRP3363**  
Boss  
.500 OD, .250 ID, 1.375 Length  
\$13.50

**HRP3375**  
Jacobs Ladder Tube  
.625 OD, .375 ID, .875 Length  
\$10.50

**HRP3376**  
Jacobs Ladder Tube  
.625 OD, .375 ID, .875 Length  
\$11.75

**HRP3377**  
Jacobs Ladder Tube  
.625 OD, .375 ID, .875 Length  
\$13.50

**HRP3378**  
Jacobs Ladder Tube  
.625 OD, .375 ID, .875 Length  
\$13.50

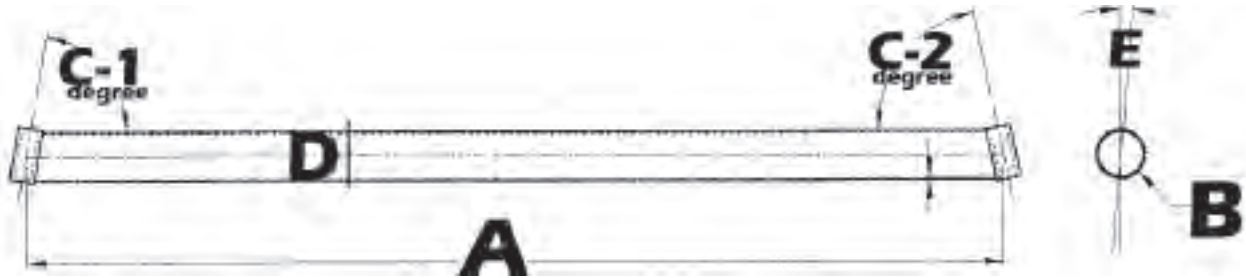


**HRP3374**  
Brake Pedal Spud  
.625 OD, .312 ID, 1.375 Length  
\$13.50

See all of our products and shop online @ [hrpracing.com](http://hrpracing.com)



# FRONT AXLE TUBES



Hepfner Racing Products Pre-Cut Axle Tubes are laser cut with ends that are partially formed to fit King Pin Bosses (listed on page 34. We have a large stock of these items and others are made to order. Call for sizes not listed. We can also cut your supplied material.

HRP PART	DESCRIPTION	A	B	C-1	C-2	D	E	PRICE
HRP3114W	1.75 MIDGET AXLE TUBE	46"	1.75 OD	9°	12°	.120	0	\$64.00
HRP3115W	1.75 MIDGET AXLE TUBE	41.5"	1.75 OD	9°	9°	.120	0	\$64.00
HRP3116W	1.75 MIDGET AXLE TUBE	44"	1.75 OD	9°	9°	.120	0	\$64.00
HRP3117W	1.75 MIDGET AXLE TUBE	44"	1.75 OD	9°	12°	.120	0	\$64.00
HRP3118W	1.75 MIDGET AXLE TUBE	45"	1.75 OD	9°	9°	.120	0	\$64.00
HRP3119W	1.75 MIDGET AXLE TUBE	47"	1.75 OD	8°	12°	.120	0	\$64.00
HRP3120W	1.75 MIDGET AXLE TUBE	49"	1.75 OD	8°	12°	.120	0	\$64.00
HRP3121W	2.25 OD AXLE TUBE	50"	2.25 OD	8.5°	12°	.120	0	\$80.00
HRP3122W	2.25 OD AXLE TUBE	52"	2.25 OD	8.5°	12°	.120	0	\$90.00
HRP3123W	2.25 OD AXLE TUBE	50"	2.25 OD	10°	10°	.120	0	\$80.00
HRP3124W	2.25 OD AXLE TUBE	52"	2.25 OD	10°	10°	.120	0	\$90.00
HRP3125W	2.25 OD AXLE TUBE	50"	2.25 OD	8.5°	12°	.120	4°	\$80.00
HRP3126W	2.25 OD AXLE TUBE	52"	2.25 OD	8.5°	12°	.120	4°	\$90.00
HRP3127W	2.25 OD AXLE TUBE	49"	2.25 OD	10°	10°	.120	0	\$80.00
HRP3128W	2.50 OD AXLE TUBE	50"	2.500 OD	10°	10°	.095	0	\$80.00
HRP3129W	2.50 OD AXLE TUBE	50"	2.500 OD	10°	12°	.095	0	\$85.00
HRP3130W	2.50 OD AXLE TUBE	50"	2.500 OD	8.5°	12°	.095	4°	\$70.00
HRP3131W	2.50 OD AXLE TUBE	52"	2.50 OD	8.5°	12°	.095	0	\$85.00
HRP3132A	2.25 OD AXLE TUBE	51"	2.25 OD	5°	5°	.120	0	\$80.00
HRP3132B	2.25 OD AXLE TUBE	52"	2.25 OD	5°	5°	.120	0	\$75.00
HRP3133W	2.25 OD AXLE TUBE	54"	2.25 OD	10°	10°	.120	0	\$90.00
HRP3134W	1.75 OD AXLE TUBE	44"	1.75 OD	8°	11°	.120	3°	\$64.00
HRP3135W	2.250 OD AXLE TUBE	53"	2.25 OD	10°	10°	.120	0	\$90.00
HRP3136W	2.250 OD AXLE TUBE	52"	2.25 OD	10°	10°	.120	0	\$80.00
HRP3137W	2.250 OD AXLE TUBE	50"	2.25 OD	10°	12°	.120	0	\$80.00
HRP3138W	2.375 OD AXLE TUBE	50"	2.375 OD	9°	12°	.095	0	\$85.00
HRP3139W	2.375 OD AXLE TUBE	50"	2.375 OD	10°	10°	.095	0	\$85.00
HRP3140W	2.375 OD AXLE TUBE	52"	2.375 OD	10°	10°	.095	0	\$98.00
HRP3141W	2.375 OD AXLE TUBE	52"	2.375 OD	Red Devil	Red Devil	.095	0	\$98.00
HRP3142W	2.375 OD AXLE TUBE	51"	2.375 OD	9°	12°	.095	0	\$85.00
HRP3143W	2.250 OD AXLE TUBE	53"	2.250 OD	10°	12°	.120	0	\$90.00
HRP3144W	1.75 OD AXLE TUBE	46"	1.75 OD	8°	12°	.120	0	\$64.00
HRP3145W	2.25 OD AXLE TUBE	53"	2.25 OD	8.5°	12°	.120	0	\$90.00
HRP3146W	2.50 OD AXLE TUBE	53"	2.50 OD	8.5°	12°	.095	0	\$98.00
HRP3147W	1.75 OD AXLE TUBE	43.75"	1.75 OD	2°	12°	.120	0	\$64.00
HRP3148W	1.75 OD AXLE TUBE	48.75"	1.75 OD	6°	8°	.120	0	\$64.00
HRP3149W	1.75 OD AXLE TUBE	47"	1.75 OD	6°	8°	.120	0	\$64.00
HRP3150W	2.50 OD AXLE TUBE	50"	2.50 OD	8.5°	12°	.095	0	\$88.00
HRP3151W	2.375 OD AXLE TUBE	50"	2.375 OD	9°	12°	.095	0	\$85.00
HRP3152W	2.375 OD AXLE TUBE	51"	2.375 OD	9°	12°	.095	4°	\$85.00
HRP3153W	1.75 OD AXLE TUBE	45"	1.75 OD	9°	12°	.120	3°	\$64.00
HRP3154W	1.75 OD AXLE TUBE	44"	1.75 OD	9°	9°	.120	3°	\$64.00
HRP3155W-520	2.50 OD AXLE TUBE	52"	2.50 OD	Straight	Straight	.095	Straight	\$85.00

See all of our products and shop online @ hrpracing.com

# FRONT AXLE BRACKETS



See all of our products and shop online @ [hrpracing.com](http://hrpracing.com)

**HRP3100W-LH**  
 2.000 Axle Bracket Left  
 Material .120 Rectangular Tube  
 \$17.75

**HRP3100W-RH**  
 2.000 Axle Bracket Right  
 Material .120 Rectangular Tube  
 \$21.50

**HRP3191-LH**  
 2.375 Axle Bracket Left  
 Material .110 Rectangular Tubing  
 \$17.00

**HRP3191-RH**  
 2.375 Axle Bracket Right  
 Material .110 Rectangular Tubing  
 \$19.00



# FRONT AXLE BRACKETS

See all of our products and shop online @ [hrpracing.com](http://hrpracing.com)

**HRP3101W-LHHD**  
2.250 Axle Heavy Duty Bracket Left (4.325 tall)  
Material .120 Rectangular Tube  
\$16.50

**HRP3101W-LHHD-1**  
2.250 Axle Heavy Duty Bracket Left (5.330 tall)  
Material .120 Rectangular Tube  
\$16.50

**HRP3105W-RH**  
2.250 Axle Bracket Right, 8.25 Split  
Material .120 Rectangular Tube  
\$18.00

**HRP3101W-LH**  
2.250 Axle Bracket Left (4.325)  
Material .120 Rectangular Tube  
\$15.75

**HRP3101W-LH-1**  
2.250 Axle Bracket Left (1" Longer = 5.325)  
Material .120 Rectangular Tube  
\$15.75

**HRP3101W-RH**  
2.250 Axle Bracket Right, 8.00 Split  
Material .120 Rectangular Tube  
\$18.00



# FRONT AXLE BRACKETS



See all of our products and shop online @ [hrpracing.com](http://hrpracing.com)

**HRP3109W-LH**  
 2.375 Outlaw Axle Bracket Left  
 Material .120 Rectangular Tube  
 \$15.75

See here for RH

**HRP3109W-RH**  
 2.375 Outlaw Axle Bracket Right, 8.25 Split  
 Material .120 Rectangular Tube  
 \$18.00

**HRP3102W-LH**  
 2.375 Light Weight Axle Bracket Left, Tapered bottom, (4.325)  
 Material .120 Rectangular Tube  
 \$15.75

**HRP3102W-LHHD**  
 2.375 Heavy Duty Axle Bracket Left (4.325)  
 Material .120 Rectangular Tube  
 \$16.50

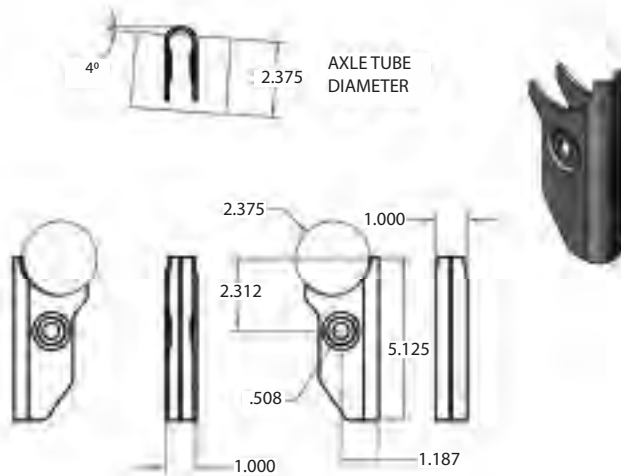
**HRP3102W-LHHD-1**  
 2.375 Heavy Duty Axle Bracket Left (1" Longer = 5.325)  
 Material .120 Rectangular Tube  
 \$16.50

**HRP3102W-RH**  
 2.375 Axle Bracket Right, 8.25 Split  
 Material .120 Rectangular Tube  
 \$18.00



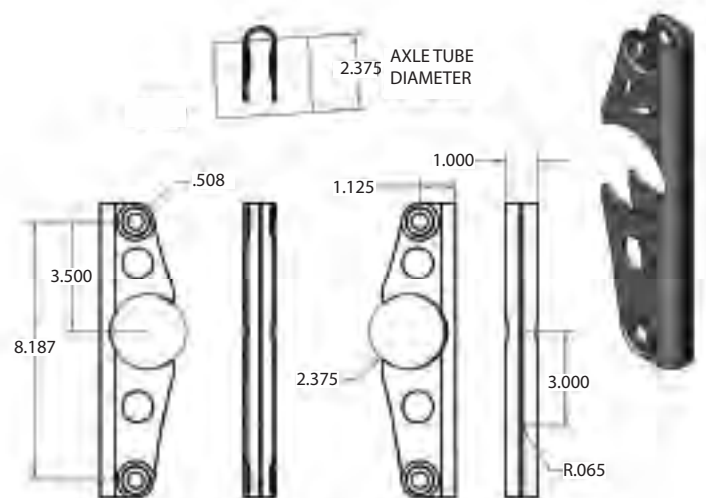
# FRONT AXLE BRACKETS

See all of our products and shop online @ [hrpracing.com](http://hrpracing.com)

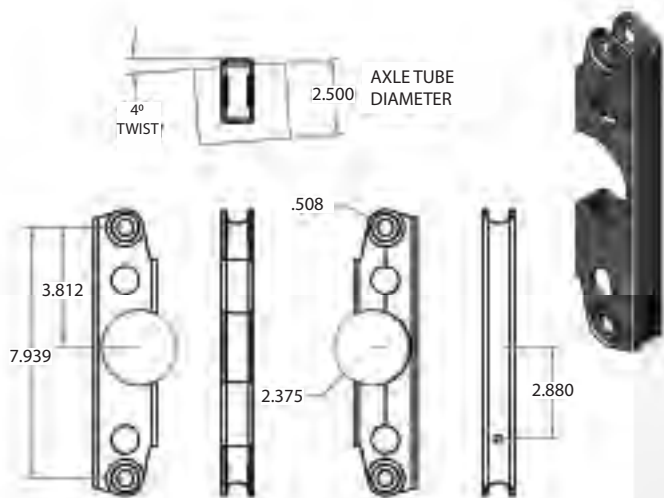


**HRP3107W-LH**  
2.375 Axle Bracket Left  
Material 13 GA Mild Steel  
\$17.00

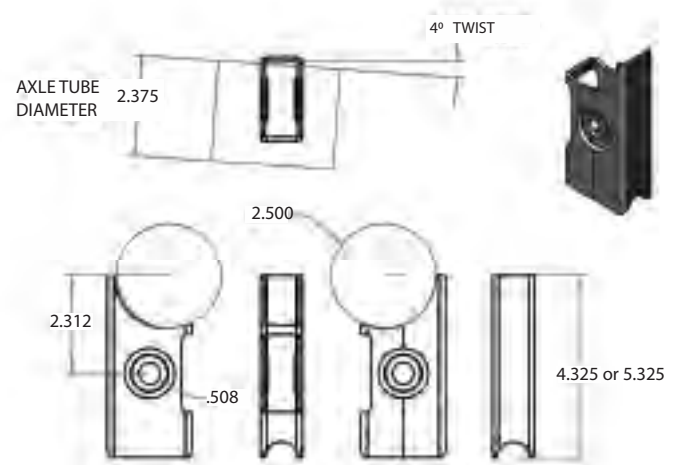
See here for RH



**HRP3107W-RH**  
2.375 Axle Bracket Right  
Material 13 GA Mild Steel  
\$24.50



**HRP3106W-RH**  
2.375 Axle Bracket Right, 8.00 Split  
Material .120 Rectangular Tube  
\$18.00



**HRP3103W-LH**  
2.500 Axle Light Weight Bracket Left, Tapered bottom (4.325)  
Material .120 Rectangular Tube  
\$15.75

**HRP3103W-LHHD**  
2.500 Axle Heavy Duty Bracket Left (4.325)  
Material .120 Rectangular Tube  
\$16.50

**HRP3103W-LH-1**  
2.500 Axle Light Weight Bracket Left (1" Longer = 5.325)  
Material .120 Rectangular Tube  
\$16.50

# FRONT AXLE BRACKETS



See all of our products and shop online @ [hrpracing.com](http://hrpracing.com)

**HRP3103W-RH**  
 2.500 Axle Bracket Right, 8.00 Split  
 Material .120 Rectangular Tube  
 \$18.00

**HRP3104W-LH**  
 2.500 Outlaw Axle Bracket Left (4.312)  
 Material .120 Rectangular Tube  
 \$15.75

**HRP3104W-LH-1**  
 2.500 Outlaw Axle Bracket Left (1" longer = 5.312)  
 Material .120 Rectangular Tube  
 \$16.50

**HRP3104W-LH-SSHGX**  
 2.500 Outlaw Axle Bracket Left Super Shox Style (5.312)  
 Material .120 Rectangular Tube  
 \$16.50

**HRP3104W-RH-SSHGX**  
 2.500 Outlaw Axle Bracket Right, Super Shox Style, 8.25 Split  
 Material .120 Rectangular Tube  
 \$19.00

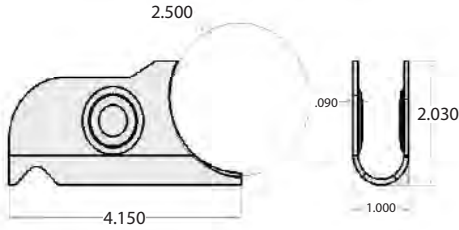
**HRP3104W-RH**  
 2.500 Outlaw Axle Bracket Right, 8.187 Split  
 Material .120 Rectangular Tube  
 \$18.00

**HRP3108W-RH**  
 2.500 Axle Bracket Right, 8.25 Split  
 Material .120 Rectangular Tube  
 \$18.00

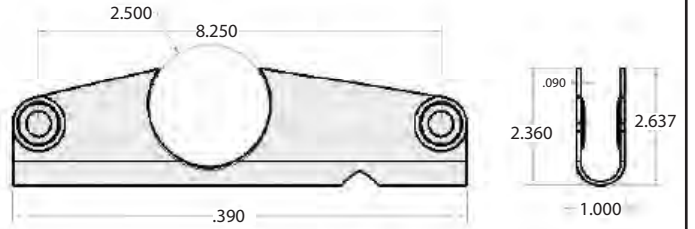


# FRONT AXLE BRACKETS

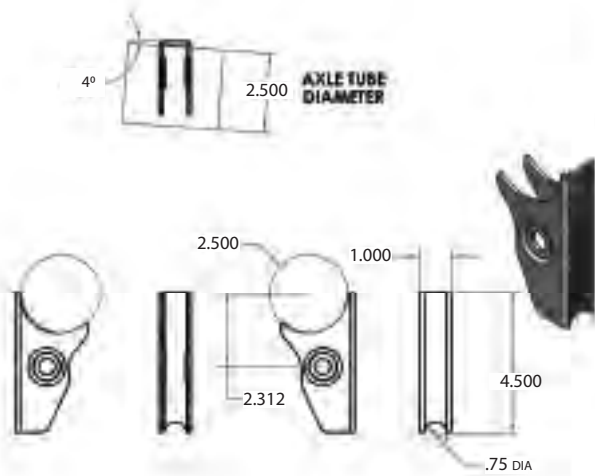
See all of our products and shop online @ hrpracing.com



**HRP3192-LH**  
 2.500 Axle Bracket Left  
 Material 13 GA Mild Steel  
 \$18.00

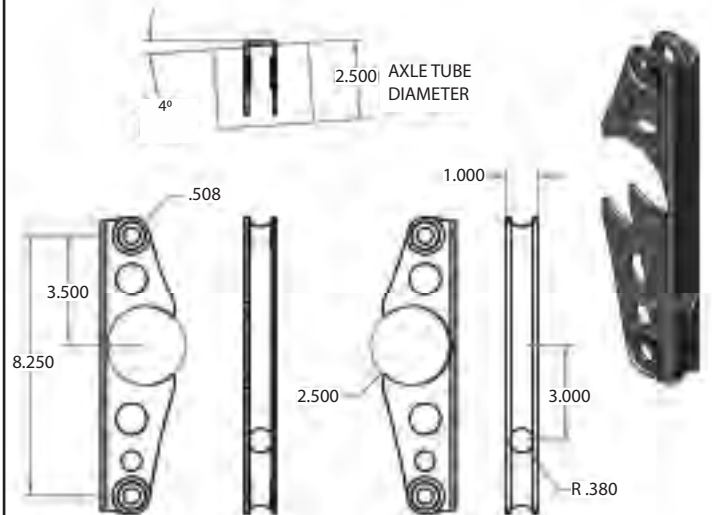


**HRP3192-RH**  
 2.500 Axle Bracket Right  
 Material 13 GA Mild Steel  
 \$25.50



**HRP3113W-MAX-LH**  
 Maxim Style 2.500 Light Weight Axle Bracket Left  
 Material .120 Rectangular Tube  
 \$16.00

See here for RH →



**HRP3113W-MAX-RH**  
 Maxim Style 2.500 Light Weight Axle Bracket Right  
 Material .120 Rectangular Tube  
 \$18.00

# NON-WINGED FRONT AXLE BRACKETS



**HRP3194W-LH**  
 2.250 Non Winged Axle Bracket Left  
 Material .120 Rectangular Tube  
 \$17.00

See here for RH

**HRP3194W-RH**  
 2.250 Non Winged Axle Bracket Right  
 Material .120 Rectangular Tube  
 \$19.00

**HRP3194W-SM**  
 2.250 Non Winged Axle Bracket  
 Material .120 Rectangular Tube  
 \$17.00

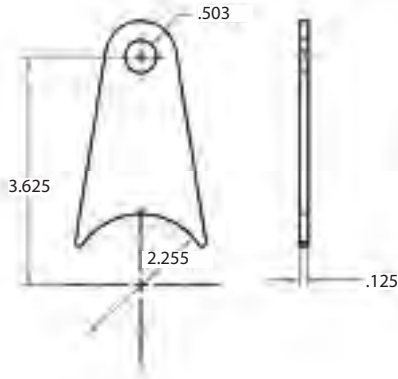
**HRP3195**  
 Weld-In Washer  
 Material 13 GA Mild Steel  
 \$ .70

See all of our products and shop online @ [hrpracing.com](http://hrpracing.com)

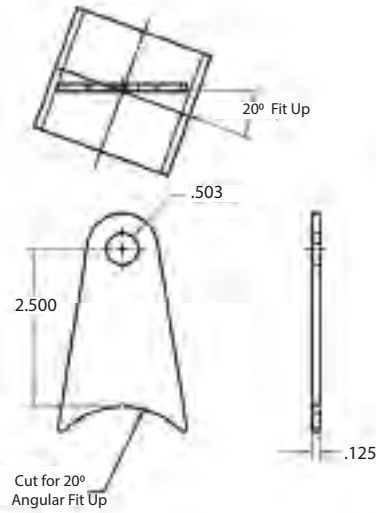


# FRONT AXLE BRACKETS - ASPHALT

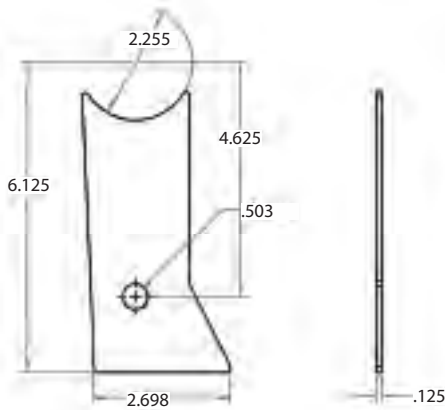
See all of our products and shop online @ [hrpracing.com](http://hrpracing.com)



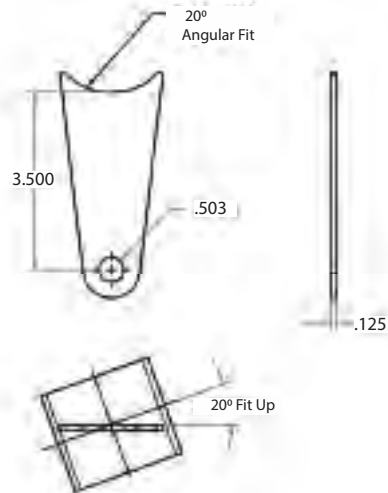
**HRP3197**  
 Asphalt Axle Bracket Left Upper  
 Material .125 4130  
 \$9.50



**HRP3199**  
 Asphalt Axle Bracket Right Upper  
 Material .125 4130  
 \$9.50



**HRP3196**  
 Asphalt Axle Bracket Left Lower  
 Material .125 4130  
 \$10.00

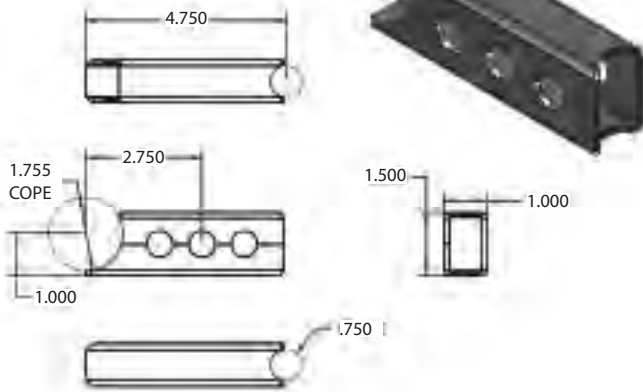


**HRP3198**  
 Asphalt Axle Bracket Right Lower  
 Material .125 4130  
 \$10.00

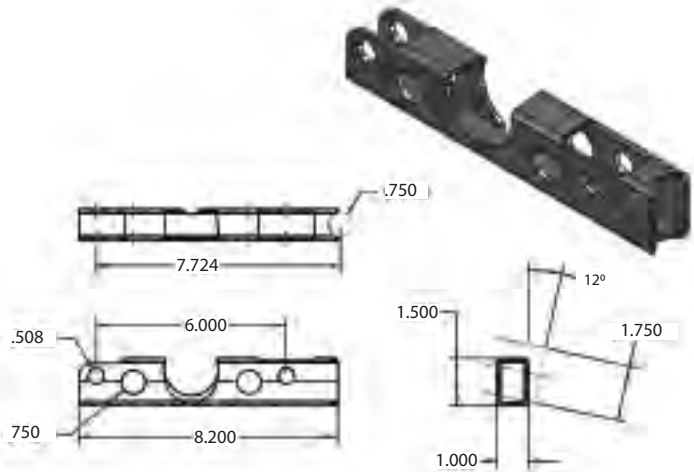
# MIDGET FRONT AXLE BRACKETS



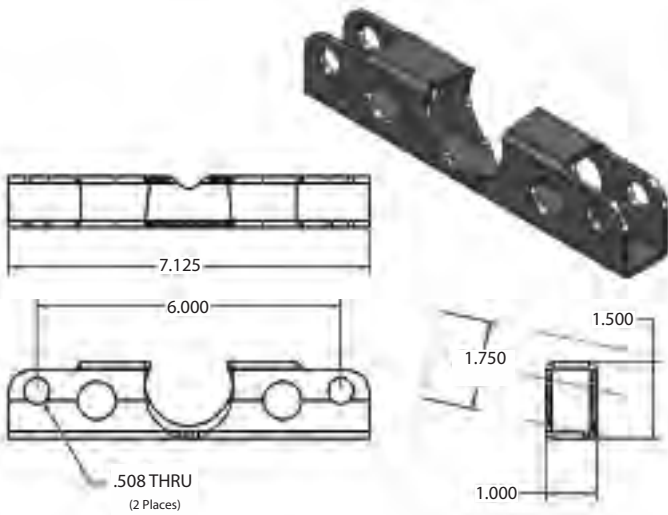
See all of our products and shop online @ [hrpracing.com](http://hrpracing.com)



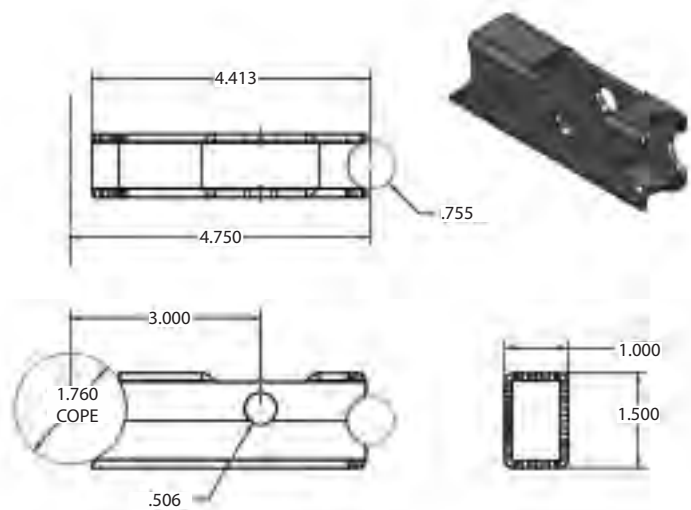
**HRP3112W**  
Midget Axle Bracket Right, 0°  
Material .120 Rectangular Tube  
\$14.50



**HRP3113W-SP**  
Midget Axle Bracket Right, 12°  
Material .120 Rectangular Tube  
\$19.50

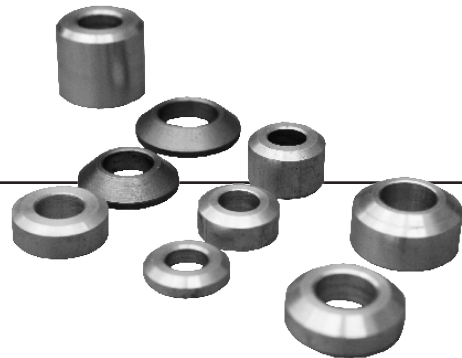


**HRP3110W**  
Midget Axle Bracket, Right, 12°  
Material .120 Rectangular Tube  
\$17.50

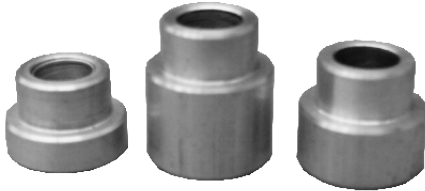


**HRP3111W**  
Midget Axle Bracket Left, 0°  
Material .120 Rectangular Tube  
\$15.50

# ROD END REDUCERS, SPACERS, WASHERS



### ALUMINUM ROD END REDUCERS

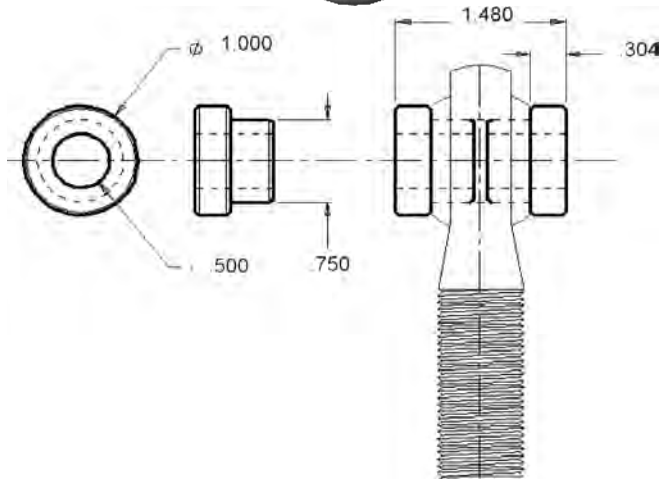


**Reduces 3/4" Rod End For A 1/2" Bolt  
Made From 6061 Aluminum  
Sold Each - Call For Quantity Pricing**

**HRP5300-A**  
3/4" To 1/2" .312 Long  
\$5.00

**HRP5300-B**  
3/4" To 1/2" .765 Long  
\$5.00

**HRP5300-C**  
3/4" to 1/2" .510 Long  
\$5.00



### ALUMINUM ROD END REDUCER

**HRP5301**

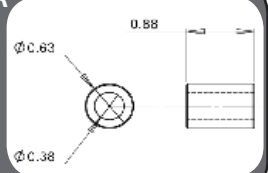
1/2 To 3/8 Reducer Sleeve  
\$5.00



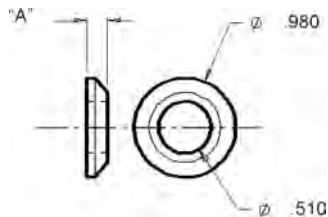
### JACOBS LADDER SPACER

**HRP5390**

\$1.75



### ALUMINUM ROD END WASHERS



**HRP5350**  
A = .190  
\$1.25

**HRP5348**  
A = .312  
\$1.25

**HRP5347**  
A = .500  
\$1.50

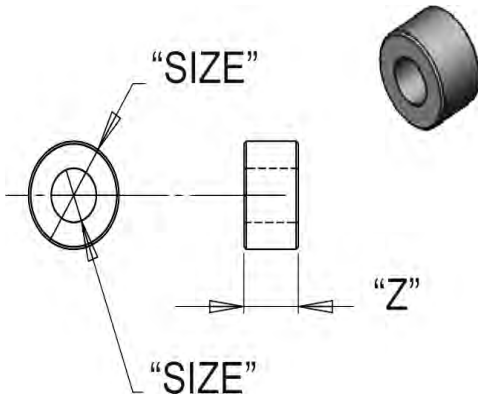


# ALUMINUM SPACERS - KITS & INDIVIDUAL



Each Kit Includes 5 Pieces Of Each Length Spacer

HRP ALUMINUM SPACERS			
LETTER	SIZE	KIT PART #	PRICE
A	.250 ID X .500 OD	HRP5365A	\$105.00
B	.312 ID X .625 OD	HRP5365B	\$105.00
C	.375 ID X .625 OD	HRP5365C	\$105.00
D	.437 ID X .750 OD	HRP5365D	\$105.00
E	.500 ID X .750 OD	HRP5365E	\$105.00
F	.500 ID X 1.00 OD	HRP5365F	\$105.00



INDIVIDUAL PIECED SPACERS		
PART #	LETTER	Z = LENGTH
HRP5370		0.060
HRP5371		0.090
HRP5372		.125
HRP5373		.156
HRP5374		.187
HRP5375		.218
HRP5376		.250
HRP5377		.281
HRP5378		.312
HRP5379		.375
HRP5380		.406
HRP5381		.437
HRP5382		.484
HRP5383		.500
HRP5384		.343

LETTER = OD/ID FROM TABLE ON LEFT  
ENTER CORRESPONDING LETTER TO PART #

Pricing Varies With Length And Quantities. Call For Pricing.

**ALUMINUM SPACERS**

**HRP5330**  
 A= .190  
 \$1.25

**HRP5332**  
 A= .312  
 \$1.50

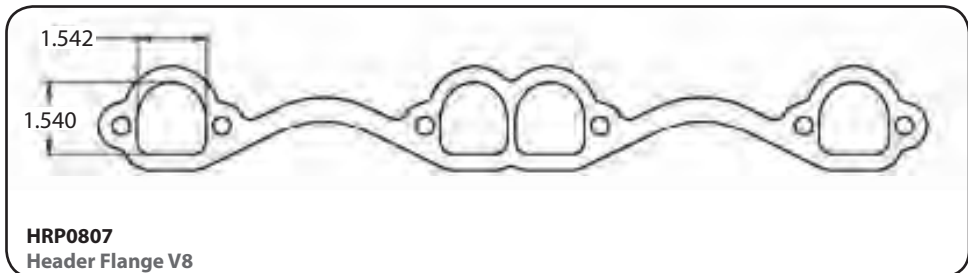
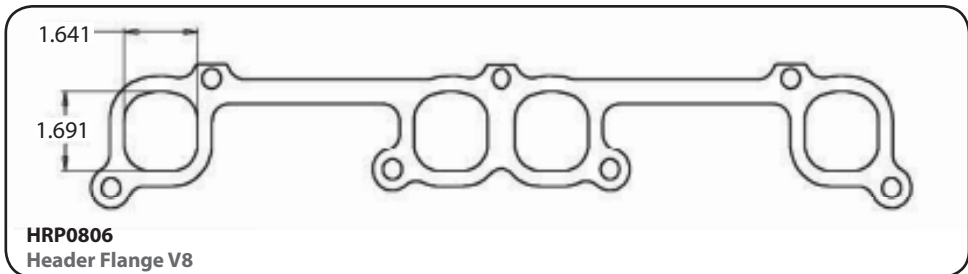
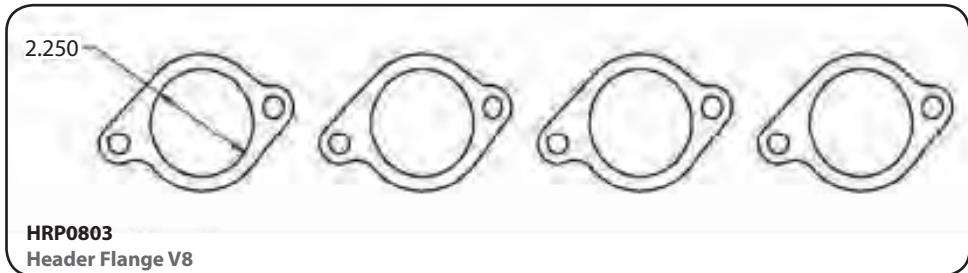
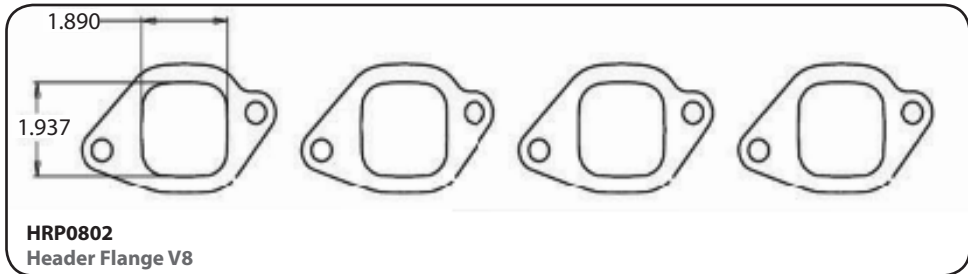
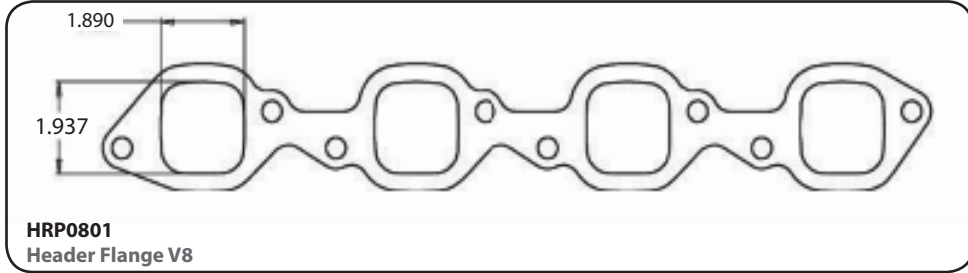
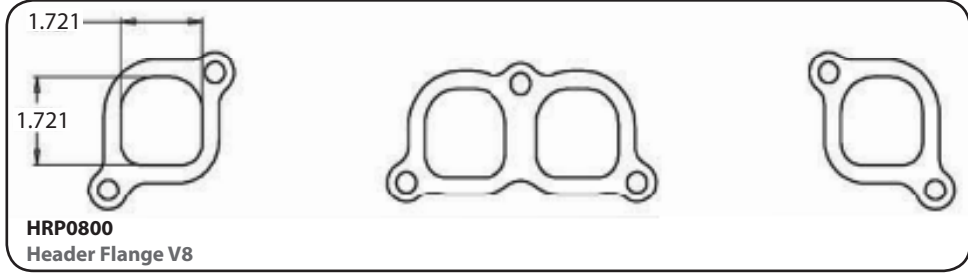
**HRP5336**  
 A= .500  
 \$1.50

See all of our products and shop online @ [hrpracing.com](http://hrpracing.com)



# HEADER FLANGES

HEADER FLANGE PRICE CHART LOCATED ON PAGE 54



See all of our products and shop online @ [hrpracing.com](http://hrpracing.com)

# HEADER FLANGES



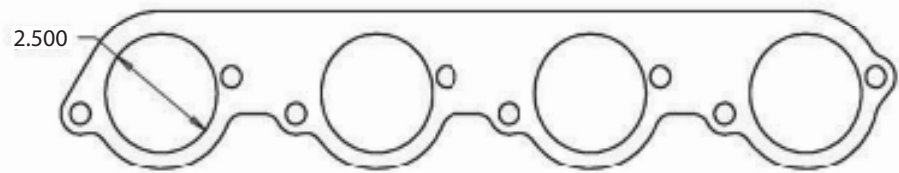
HEADER FLANGE PRICE CHART LOCATED ON PAGE 54



**HRP0808**  
Header Flange V8



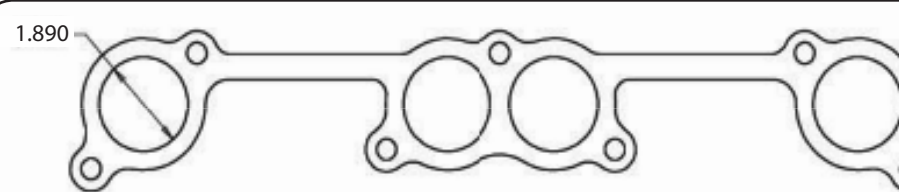
**HRP0809**  
Header Flange V8



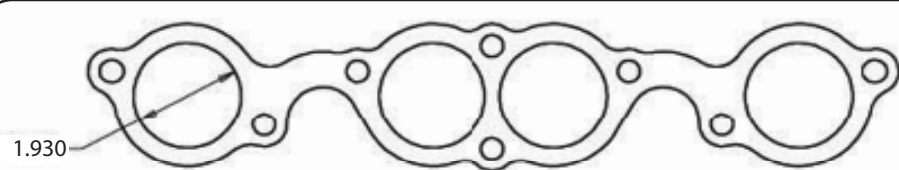
**HRP0810**  
Header Flange V8



**HRP0811**  
Header Flange V8



**HRP0812**  
Header Flange V8



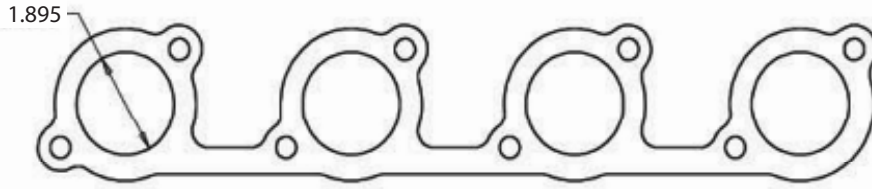
**HRP0813**  
Header Flange V8

See all of our products and shop online @ [hrpracing.com](http://hrpracing.com)

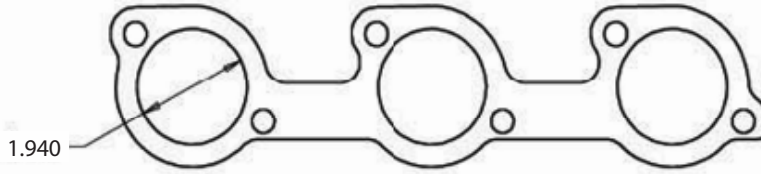


# HEADER FLANGES

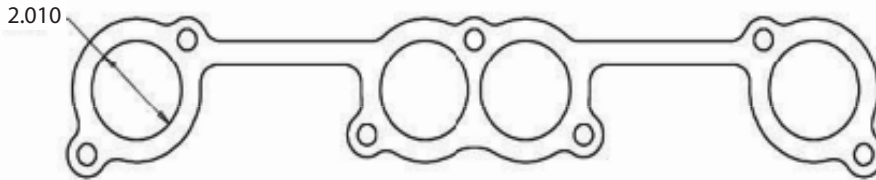
HEADER FLANGE PRICE CHART LOCATED ON PAGE 54



**HRP0814**  
Header Flange V8



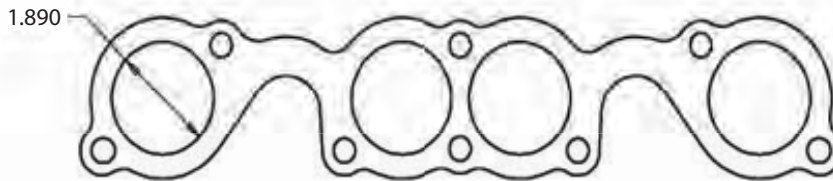
**HRP0815**  
Header Flange V6



**HRP0816**  
Header Flange V8



**HRP0817**  
Header Flange V8



**HRP0818**  
Header Flange V8



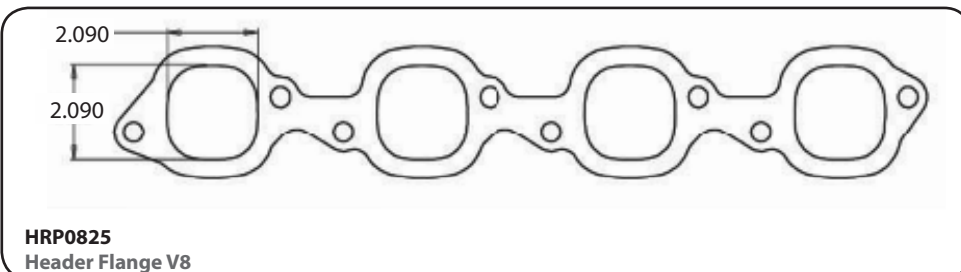
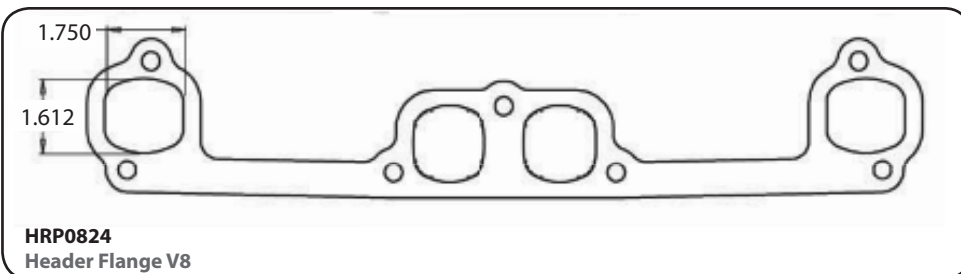
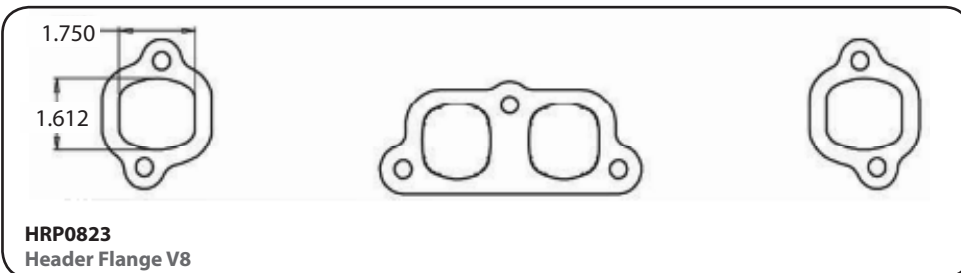
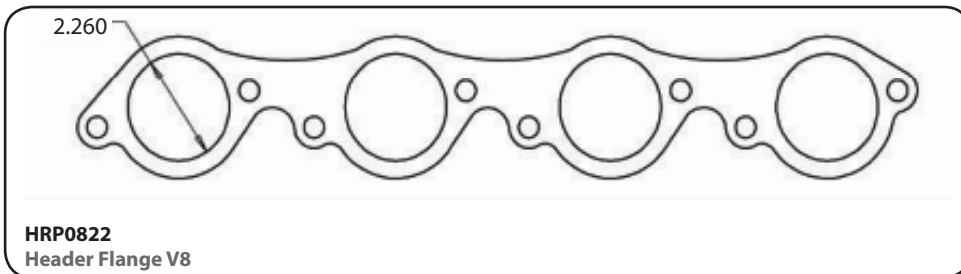
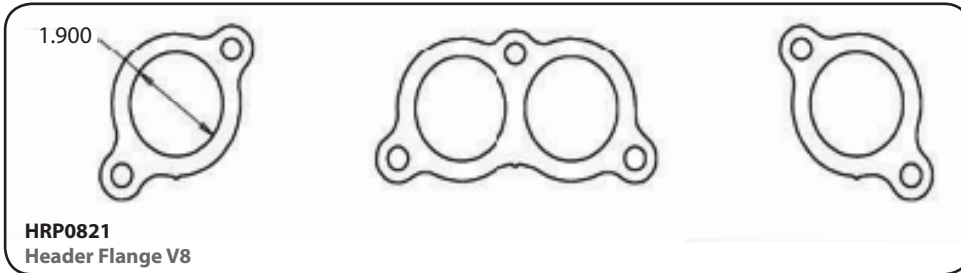
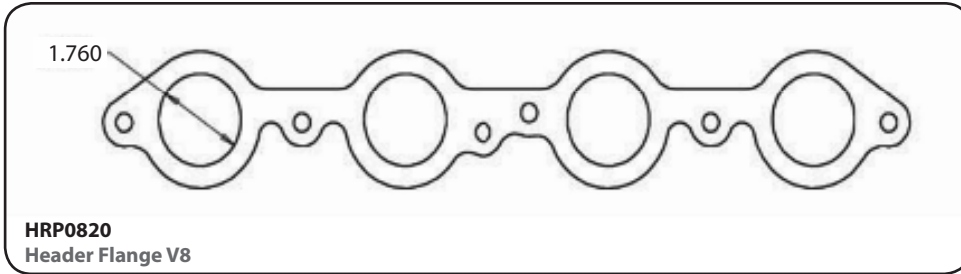
**HRP0819**  
Header Flange V8

See all of our products and shop online @ [hrpracing.com](http://hrpracing.com)

# HEADER FLANGES



HEADER FLANGE PRICE CHART LOCATED ON PAGE 54

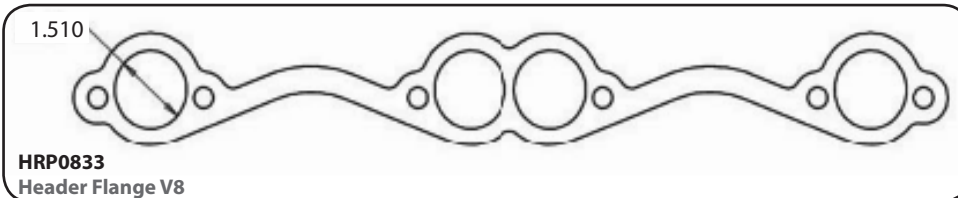
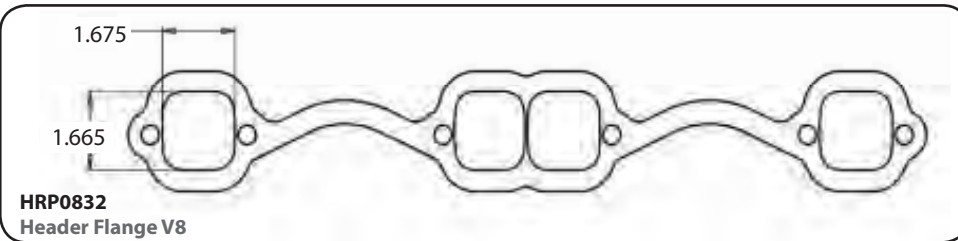
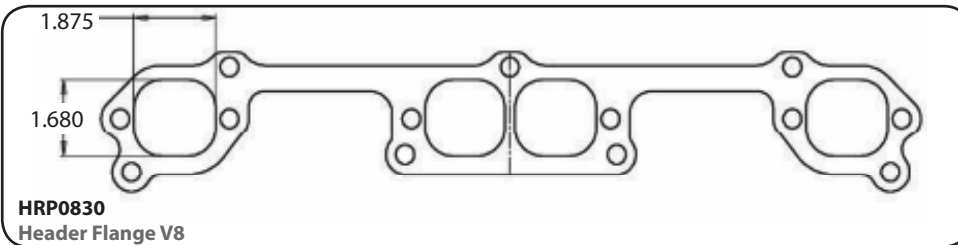
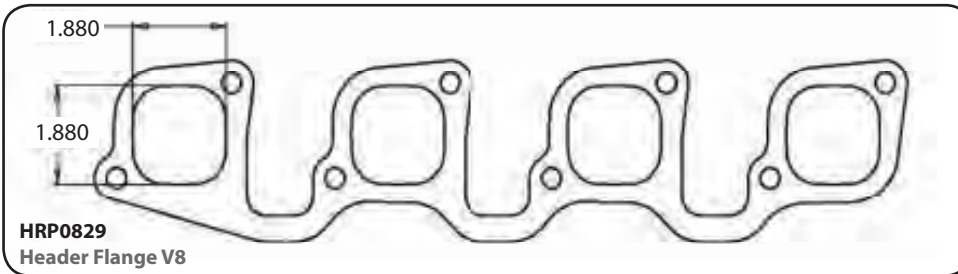
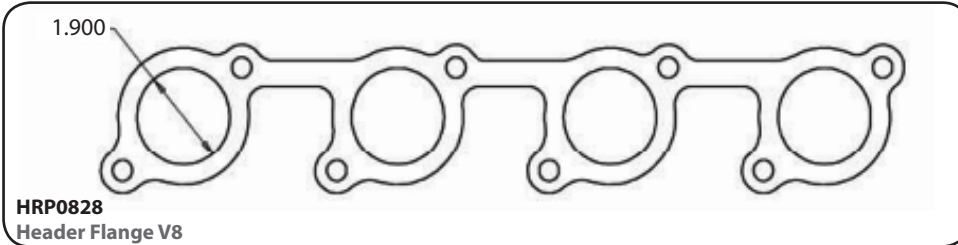
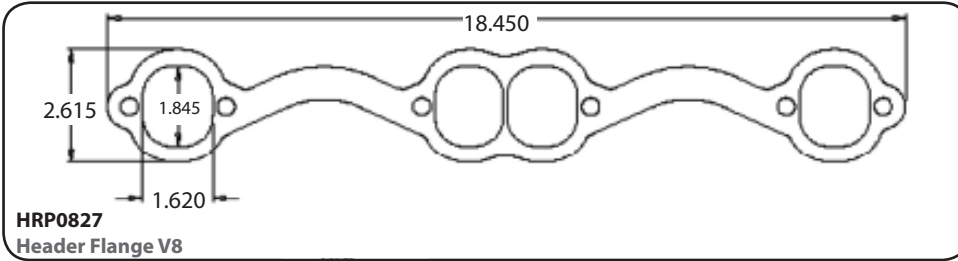
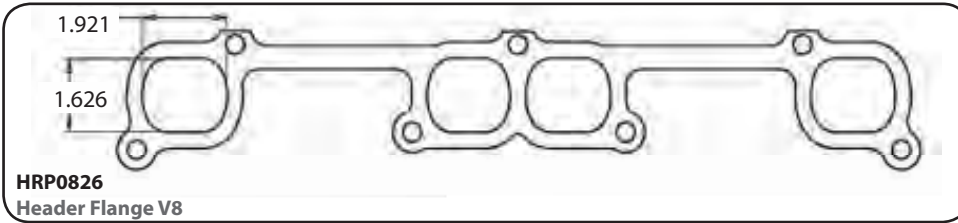


See all of our products and shop online @ [hrpracing.com](http://hrpracing.com)



# HEADER FLANGES

See all of our products and shop online @ [hrpracing.com](http://hrpracing.com)

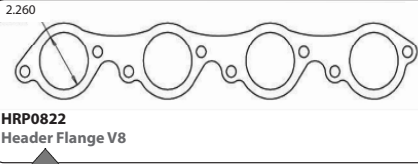


# HEADER FLANGES PRICE CHART



IT'S EASY TO ORDER THE FLANGES YOU NEED

## STEP 1



HRP0822  
Header Flange V8

Choose part number from flanges listed on pages 49 through 53.

## STEP 2

Choose applicable material and desired thickness with corresponding suffix via price guide below.



## STEP 3

Step 1 and Step 2 have now given you the correct part number based on flange type, material and thickness.

As an example, if you were ordering the flange located on STEP 1 in 3/8" Stainless Steel, the correct part number to order would be: HRP0822-F8.

You are now set to order.

For additional information, feel free to contact us via email from our website or call direct at (262) 457-5015.

## HEADER FLANGE PRICING

Price Chart for reference only, Check website or call, Prices are subject to change without notice

MILD STEEL FLANGE V-8					
THICKNESS	1 PC	6 PCS	12 PCS	20 PCS	50 PCS
3/8" Part # Suffix: -C8	\$20.00	\$19.00	\$18.00	\$17.00	\$15.00
5/16" Part # Suffix: -B8	\$19.20	\$18.24	\$17.28	\$16.32	\$14.40
1/4" Part # Suffix: -A8	\$17.00	\$16.15	\$15.30	\$14.45	\$12.75

STAINLESS STEEL FLANGE V-8					
THICKNESS	1 PC	6 PCS	12 PCS	20 PCS	50 PCS
3/8" Part # Suffix: -F8	\$51.00	\$48.45	\$45.90	\$43.35	\$38.25
5/16" Part # Suffix: -E8	\$47.40	\$45.03	\$42.66	\$40.29	\$35.55
1/4" Part # Suffix: -D8	\$43.00	\$40.85	\$38.70	\$36.55	\$32.25

MILD STEEL FLANGE V-6					
THICKNESS	1 PC	6 PCS	12 PCS	20 PCS	50 PCS
3/8" Part # Suffix: -C6	\$20.00	\$19.00	\$18.00	\$17.00	\$15.00
5/16" Part # Suffix: -B6	\$17.00	\$16.15	\$15.30	\$14.45	\$12.75
1/4" Part # Suffix: -A6	\$15.00	\$14.25	\$13.50	\$12.75	\$11.25

STAINLESS STEEL FLANGE V-6					
THICKNESS	1 PC	6 PCS	12 PCS	20 PCS	50 PCS
3/8" Part # Suffix: -F6	\$44.00	\$41.80	\$39.60	\$37.40	\$33.00
5/16" Part # Suffix: -E6	\$42.00	\$39.90	\$37.80	\$35.70	\$31.50
1/4" Part # Suffix: -D6	\$40.00	\$38.00	\$36.00	\$34.00	\$30.00

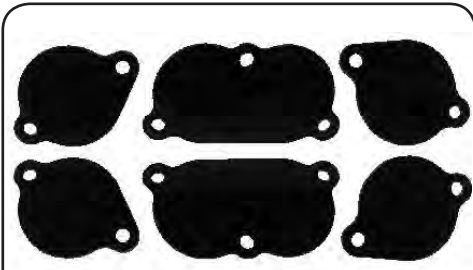
Price Chart for reference only, Check website or call, Prices are subject to change without notice

See all of our products and shop online @ [hrpracing.com](http://hrpracing.com)

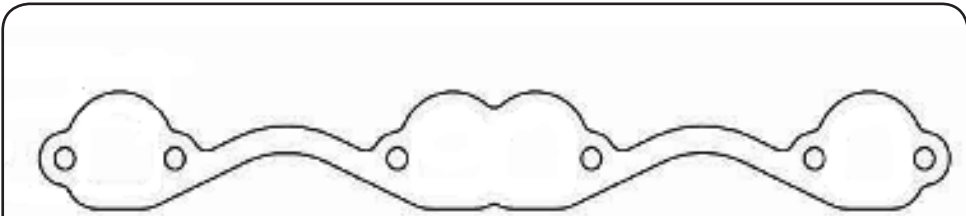


# PLATES & COLLECTOR FLANGES

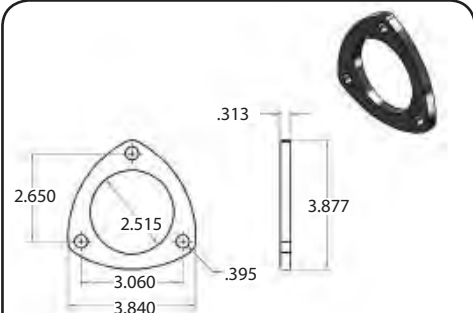
See all of our products and shop online @ hrpracing.com



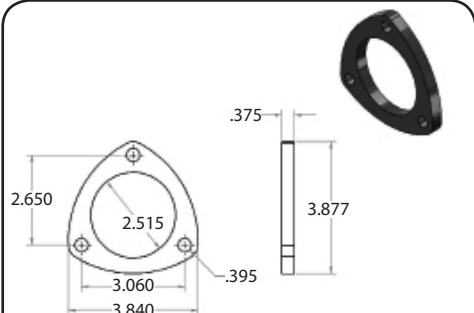
**HRP0916**  
Exhaust Cover Up Plates Spread Port  
Material 7 GA Mild Steel  
\$23.00



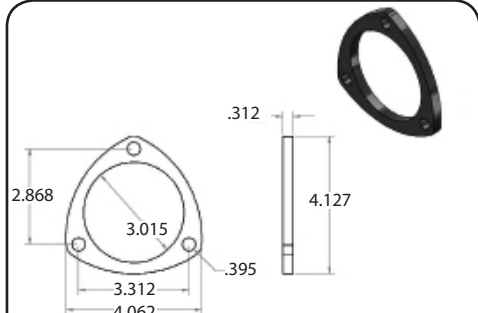
**HRP0917**  
Exhaust Cover Up Plates Standard Port  
Material 7 GA Mild Steel  
\$23.00



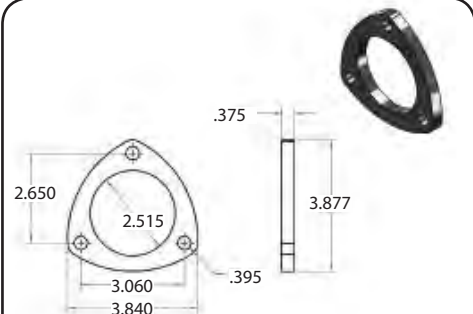
**HRP0997-B**  
Collector Flange 2.5"  
Material .312 Mild Steel  
\$16.00



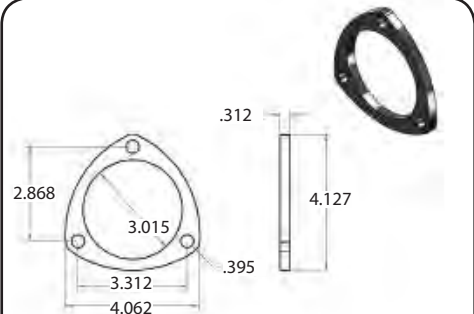
**HRP0997-F**  
Collector Flange 2.5"  
Material .375 Stainless Steel 304  
\$28.00



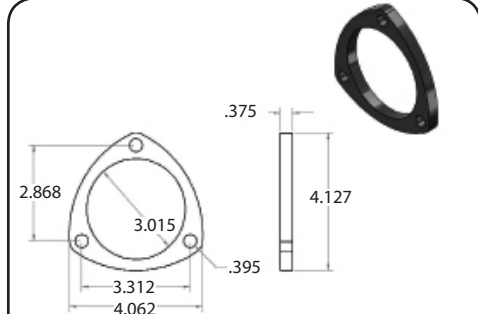
**HRP0998-E**  
Collector Flange 3"  
Material .312 Stainless Steel 304  
\$25.00



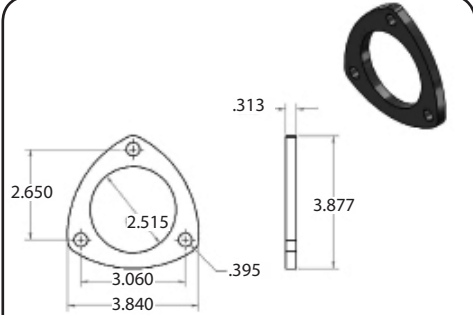
**HRP0997-C**  
Collector Flange 2.5"  
Material .375 Mild Steel  
\$18.00



**HRP0998-B**  
Collector Flange 3"  
Material .312 Mild Steel  
\$16.00



**HRP0998-F**  
Collector Flange 3"  
Material .375 Stainless Steel 304  
\$28.00



**HRP0997-E**  
Collector Flange 2.5"  
Material .312 Stainless Steel 304  
\$25.00

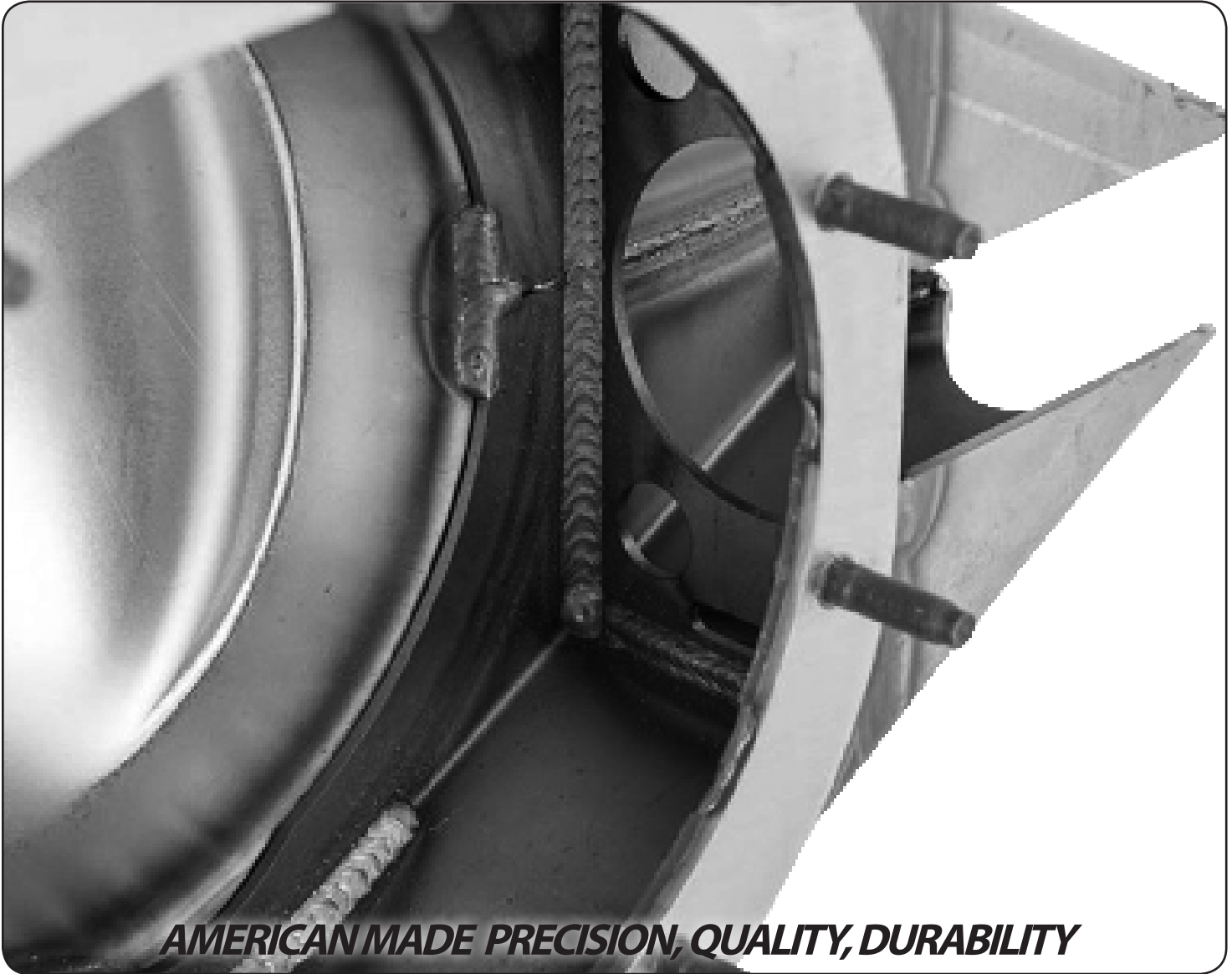


**HRP0998-C**  
Collector Flange 3"  
Material .375 Mild Steel  
\$18.00





**9" REAR END HOUSINGS, TUBES, SNOUTS  
FLANGES, PLATES & BRACKETS**



**AMERICAN MADE PRECISION, QUALITY, DURABILITY**

See all of our products and shop online @ [hrpracing.com](http://hrpracing.com)



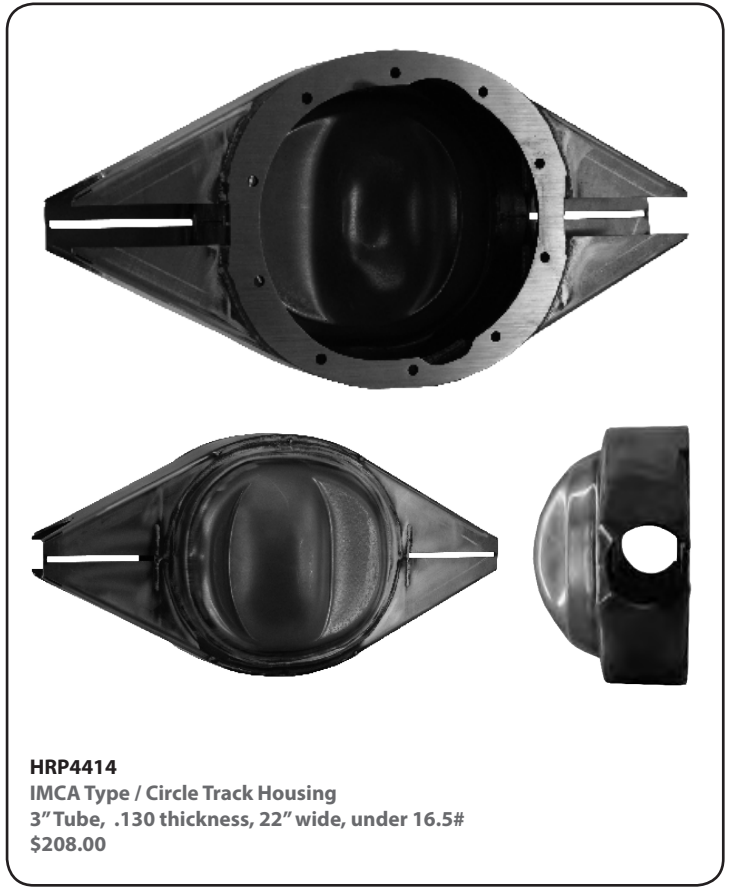


## 9" REAR END HOUSINGS

See all of our products and shop online @ [hrpracing.com](http://hrpracing.com)



**HRP4402**  
NASCAR Approved Housing  
3" Tube, .187 thickness, 19 3/4" wide, 16#  
Call for pricing



**HRP4414**  
IMCA Type / Circle Track Housing  
3" Tube, .130 thickness, 22" wide, under 16.5#  
\$208.00



**HRP4400**  
Heavy Duty Housing - Circle Track, Drag Racing, Hot Rod  
3" Tube, .130 thickness, 22" wide, 18#  
\$245.00

**HRP4403**  
Heavy Duty Housing - Circle Track, Drag Racing, Hot Rod  
3 1/4" Tube, .130 thickness, 22" wide, 18#  
\$280.00

**REAR END WITH TUBES**  
IMCA Type / Circle Track Style Housing  
(housing as shown above)

**HRP4414 Series Full Width**  
Rear End Housing with tubes

**HRP4414-58-GN-PO 58" Length**  
\$399.00

**HRP4414-59-GN-PO 59" Length**  
\$399.00

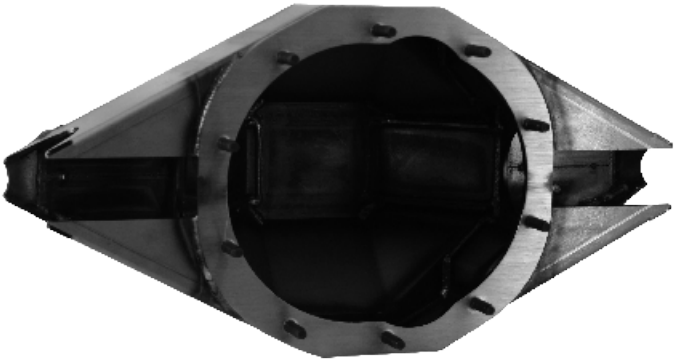
**HRP4414-60-GN-PO 60" Length**  
\$399.00



# 9" REAR END HOUSINGS



See all of our products and shop online @ [hrpracing.com](http://hrpracing.com)



**HRP4430**  
High Performance - Drag Racing, Off Road Truck  
3" Tube, .130 thickness, 21 1/2" wide, under 26#  
\$485.00

**HRP4440**  
High Performance - Drag Racing, Off Road Truck  
3 1/4" Tube, .130 thickness, 21 1/2" wide, under 26#  
\$485.00

**HRP4444**  
High Performance - Drag Racing, Off Road Truck  
3 1/2" Tube, .130 thickness, 21 1/2" wide, under 26#  
\$485.00



**HRP4621**  
Bearing Retainer Plate  
\$5.30



**HRP4622**  
Bearing Spcaer Plate  
\$5.30



**HRP4499**  
Housing Stud - Grade 8  
\$1.95

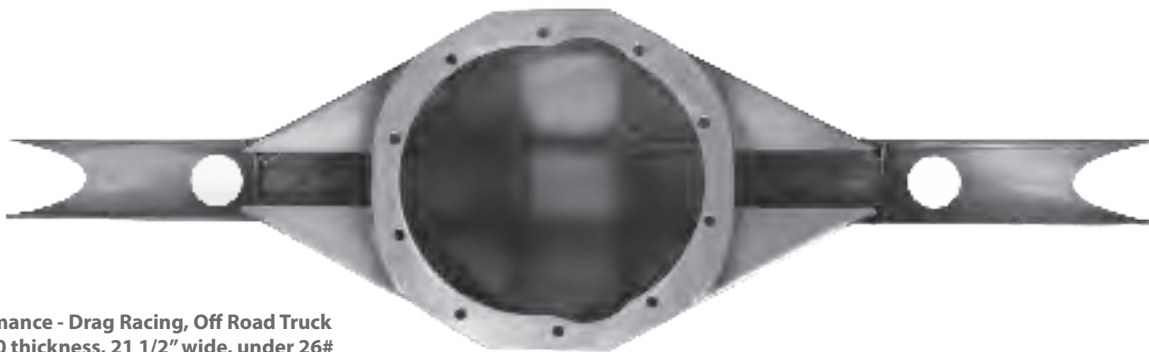
## REAR END FULL WIDTH BACK BRACE



The HRP4417 Rear End Back Brace can be added to HRP4400 and 4403 Series Rear Ends, giving extra support and strength to higher horse-power/performance and demanding applications. Back Brace is welded to existing housings.

**HRP4417**  
Full Width Back Brace / Support  
36" Length  
\$36.00

## HEAVY DUTY REAR END WITH FULL WIDTH BACK BRACE



**HRP4430-L**  
High Performance - Drag Racing, Off Road Truck  
3" Tube, .130 thickness, 21 1/2" wide, under 26#  
\$520.00

**HRP4440-L**  
High Performance - Drag Racing, Off Road Truck  
3 1/4" Tube, .130 thickness, 21 1/2" wide, under 26#  
\$520.00

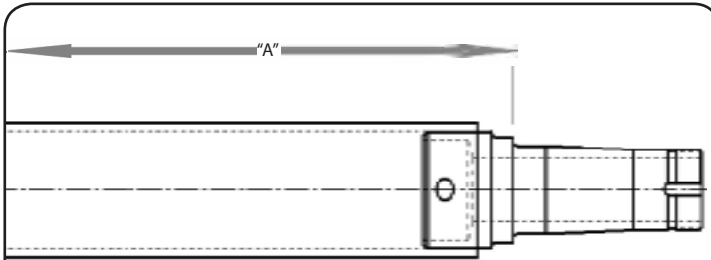
**HRP4444-L**  
High Performance - Drag Racing, Off Road Truck  
3 1/2" Tube, .130 thickness, 21 1/2" wide, under 26#  
\$550.00





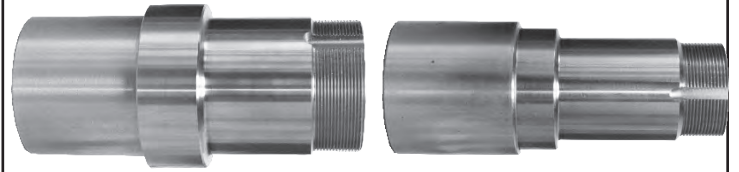
# REAR END TUBES & SNOUTS

See all of our products and shop online @ [hrpracing.com](http://hrpracing.com)



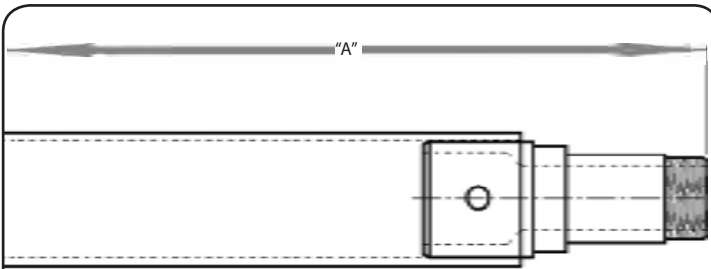
**HRP4500**  
Wide 5 Axle Tube, 3" OD, Mild Steel  
A= Length

**HRP4501**  
Wide 5 Axle Tube, 3" OD, 4130  
A = Length  
\$85.00



**HRP4552**  
Grand National Axle Snout  
2 1/2" Bearing Size  
\$36.00

**HRP4553**  
Grand National Axle Snout  
2" Bearing Size  
\$36.00

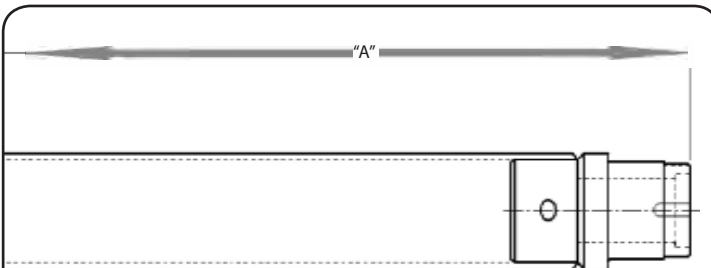


**HRP4502**  
5X5 Howe Axle Tube, 3" OD, Mild Steel  
A= Length  
\$65.00

**HRP4503**  
5X5 Howe Axle Tube, 3" OD, 4130  
A= Length  
\$85.00

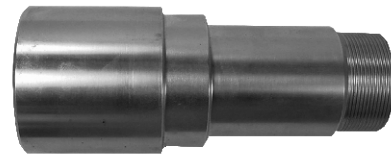


**HRP4550**  
Wide 5 Axle Snout  
\$45.00



**HRP4504**  
SCP 5X5 Axle Tube, 3" OD, Mild Steel  
A= Length  
\$70.00

**HRP4505**  
SCP 5X5 Axle Tube, 3" OD, 4130  
A= Length  
\$85.00



**HRP4551**  
5X5 Howe Axle Snout  
\$45.00

## PRECISION GROUND & SNOOT TRUE WITHIN .005 IN CONCENTRICITY



**HRP4525**  
Precision Ground Wide 5 Tube Snout  
\$95.00

**HRP4526**  
Precision Ground 5X5 Howe Tube Snout  
\$95.00

**HRP4527**  
Precision Ground SCP 5X5 Tube Snout  
\$95.00

# CONTROL ARMS, SUSPENSION



**HRP4262**  
Nova Control Arm  
(LH for race car) (RH for street car)  
\$149.00

**HRP4263**  
Nova Control Arm  
(RH for race car) (LH for street car)  
\$149.00



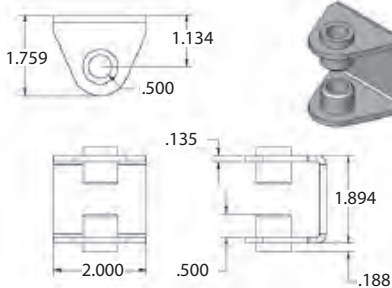
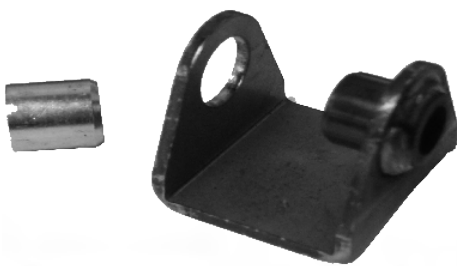
**HRP4264**  
Chevelle Control Arm  
LH  
\$139.00

**HRP4265**  
Chevelle Control Arm  
RH  
\$139.00

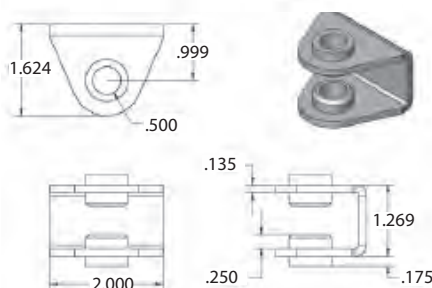
NOTES:

See all of our products and shop online @ [hrpracing.com](http://hrpracing.com)

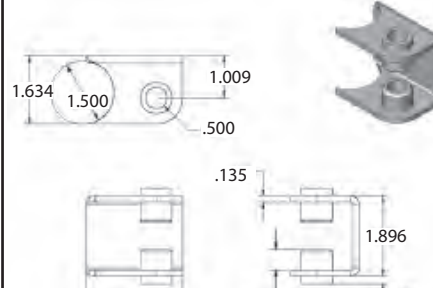
## CLEVIS SHOCK MOUNTS



**HRP0103T**  
Clevis Shock Mount Large  
Material 11 GA Mild Steel  
\$6.90



**HRP0104T**  
Clevis Shock Mount Small  
Material 11 GA Mild Steel  
\$6.90



**HRP0105T**  
Clevis Shock Mount Coped  
Material 11 GA Mild Steel  
\$6.90



# REAR END BRACKETS

See all of our products and shop online @ [hrpracing.com](http://hrpracing.com)

**HRP4040-LH**  
Trailing Arm Mount, 3" Tube, LH, Weld On  
Material 7 GA Mild Steel  
\$21.00

**HRP4010**  
Super Lite Clamp On Bracket  
3.00" Tube  
\$42.00

**HRP4011**  
Dyna Lite Clamp On Bracket  
3.00" Tube  
\$42.00

**HRP4040-RH**  
Trailing Arm Mount, 3" Tube, RH, Weld On  
Material 7 GA Mild Steel  
\$21.00

**HRP4012**  
Small GM Caliper Clamp On Bracket  
3.00" Tube  
\$42.00

**HRP4013**  
Large GM Caliper Clamp On Bracket  
3.00" Tube  
\$42.00

**HRP4041-LH**  
Trailing Arm Mount, 3" Tube, LH, Weld On  
Material .125 4130  
\$25.00

**HRP4014**  
2" Wide Clamp On Mount  
3.00" Tube  
\$31.50

**HRP4015**  
3.5" Wide Clamp On Mount  
3.00" Tube  
\$42.00

**HRP4041-RH**  
Trailing Arm Mount, 3" Tube, RH, Weld On  
Material .125 4130  
\$25.00

**HRP4008-312**  
NASCAR Cup Style Brake Mount, 3.00" Tube  
Material .312 MS  
\$18.00

**HRP4008-375**  
NASCAR Cup Style Brake Mount, 3.00" Tube  
Material .375 MS Light Weight Style  
\$18.00

# REAR END BRACKETS



**HRP4000N**  
 Super Lite Caliper, Weld On Bracket, 3.00" Tube  
 Material .250 Mild Steel  
 \$12.00

**HRP4004M**  
 Small GM Caliper, Weld On Bracket, 3.00" Tube  
 Material 7 GA Mild Steel  
 \$11.00

**HRP4007M**  
 Large GM Caliper, Weld On Bracket, 3.50" Tube  
 Material 7 GA Mild Steel  
 \$11.00

**HRP4001N**  
 Super Lite Caliper, Weld On Bracket, 3.50" Tube  
 Material .250 Mild Steel  
 \$12.00

**HRP4005M**  
 Small GM Caliper, Weld On Bracket, 3.50" Tube  
 Material 7 GA Mild Steel  
 \$11.00

## ENGINE MOUNTS

**HRP4290**  
 Front Motor Mount  
 \$8.00

**HRP4002M**  
 Dyna Lite Caliper, Weld On Bracket, 3.00" Tube  
 Material 7 GA MS  
 \$11.00

**HRP4005N**  
 Small GM Caliper, Weld On Bracket, 3.50" Tube  
 Material .250 GA Mild Steel  
 \$12.00

**HRP4291**  
 Rear Motor Mount  
 Material .250 Mild Steel  
 \$12.00

**HRP4003M**  
 Dyna Lite Caliper, Weld On Bracket, 3.50" Tube  
 Material 7 GA MS  
 \$11.00

**HRP4006M**  
 Large GM Caliper, Weld On Bracket, 3.00" Tube  
 Material 7 GA Mild Steel  
 \$11.00

**HRP4292**  
 Rear Motor Mount Kit Unwelded  
 Material .250 Mild Steel  
 \$7.00

See all of our products and shop online @ [hrpracing.com](http://hrpracing.com)



TO SHOP & ORDER ALL OF OUR PRODUCTS  
VISIT US ONLINE

[hrpracing.com](http://hrpracing.com)

**ORDER BY PHONE**

Our sales team is ready to take your order and  
provide any assistance you may require.

262.457.5015

Monday - Friday

8:00am-5:00pm

**CREDIT CARD PAYMENTS**

We accept Visa, MasterCard & Discover

HRP ships UPS daily from our facility

On Site pick up also available



**HEPFNER RACING PRODUCTS**

2133 Constitution Ave.

Hartford, WI 53027

**CONTACT US VIA EMAIL**

[hrpsales@ghilaser.com](mailto:hrpsales@ghilaser.com)

Some items shown in photos for illustration purposes only and are not  
included.

Prices and styles subject to change without notice.



**SHOP ONLINE 24/7 AT [HRPRACING.COM](http://HRPRACING.COM)**