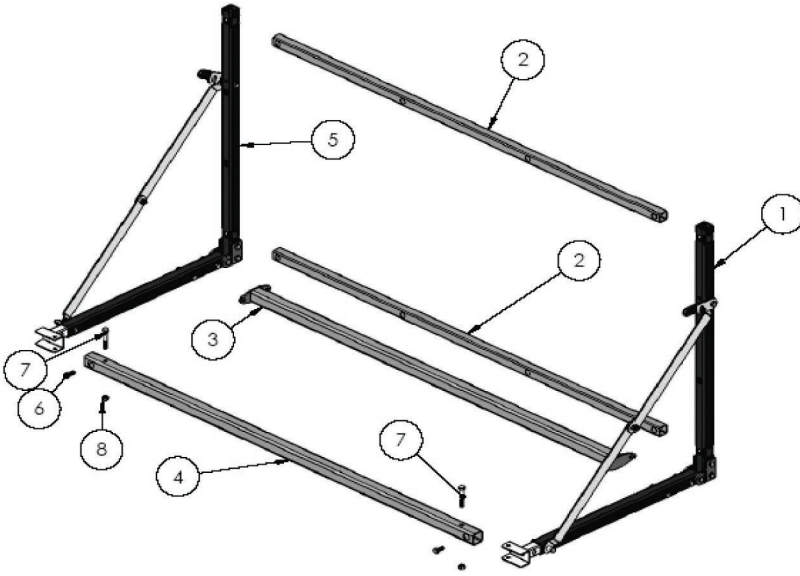


48" Wall Mounted Tire Rack



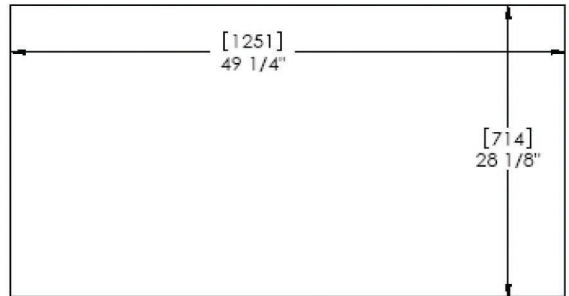
[Item Identification]

This tire rack assembly contains the following items:

- 1) Rack frame right (item #1)
- 2) Rack frame left (item #5)
- 3) (2ea) Wall cross tube (item #2)
- 4) Rear cross tube (item #3)
- 5) Front cross tube (item #4)
- 6) (2ea) 5/16-18 x 3/4" HHCS
- 7) (2ea) 5/16-18 x 2" HHCS
- 8) (2ea) 5/16-18 Hex nuts

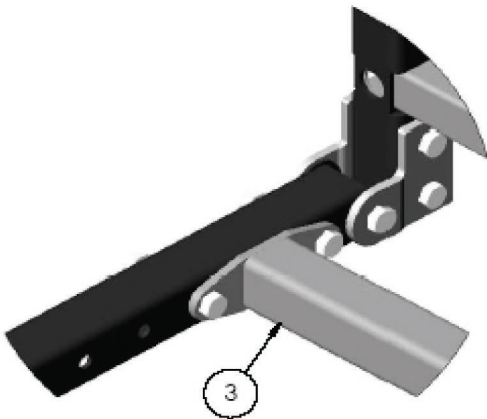
Tire Rack Mounting Instructions

- 1) Locate a suitable wall/bulkhead area with a minimum wall area 49-1/4" wide X 28-1/8" high with adequate strength to support the anticipated load.
- 2) Locate and loosely mount top wall cross tube (item #2) using the center (2) holes; assuring that the tube is mounted level.
- 3) Position and loosely mount Rack frames left and right over ends of top wall tube with frames plumb with cross tube.
- 4) Locate and loosely mount lower wall cross tube.

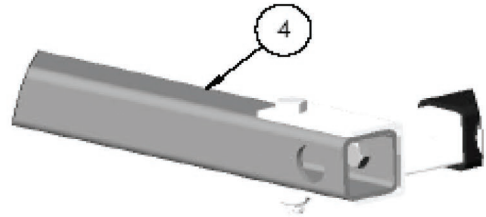


[Wall Space]

- 5) Mount Rear cross tube (item #3) between Rack frame left and rack frame right; positioning in regards to tire size to be stored in the tire rack.
- 6) Mount Front cross tube (item #4) with hardware provided.



[Rear Cross Tube]



[Front Tube]

- 7) Tighten all fasteners. Check for proper operation insuring that unit latches securely in the folded position.

(Optional sizes available: 64-in and 96-in)